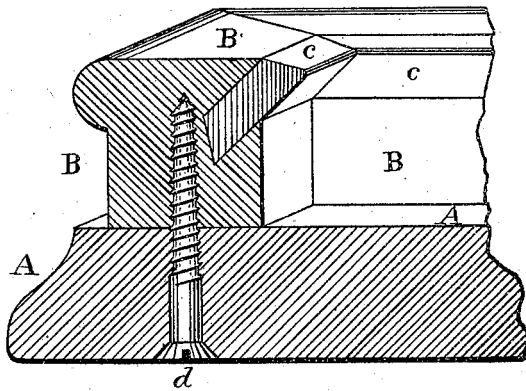


L. C. PRINDLE.  
Billiard-Tables.

No. 140,162.

Patented June 24, 1873.



WITNESSES:

*E. J. Bodey*  
*Geo. C. Briggs*

INVENTOR:

*L. C. Prindle*

# UNITED STATES PATENT OFFICE.

L. CORYDON PRINDLE, OF CHICAGO, ILLINOIS.

## IMPROVEMENT IN BILLIARD-TABLES.

Specification forming part of Letters Patent No. **140,162**, dated June 24, 1873; application filed March 5, 1873.

*To all whom it may concern:*

Be it known that I, L. CORYDON PRINDLE, of Chicago, Illinois, have invented a new and useful Improvement in Portable Billiard-Tables, of which the following is a full and exact description, reference being had to the accompanying drawing, which forms a part of this specification.

The object of my invention is to construct a portable billiard-table with a bed of marble or other inflexible material, and to dispense with the wooden frame by which the bed and rails of billiard-tables are usually supported; and my invention consists in making the bed of the table of a single slab of marble, and in attaching the rails directly to the top of such bed.

The accompanying drawing represents a vertical section and perspective view of a portion of the bed of the table, and of the rail secured in place upon the same. The bed *A* consists of a single piece of marble about one inch in thickness, and of any portable size desired. To the top of this bed the rails *B*, supporting the cushions *c*, are secured by means of screws *d* inserted from the bottom through the bed into the rails. The billiard-cloth is tacked to the bottoms of the rails before they are at-

tached to the bed. For both ornamentation and strength, the edges of the marble bed, suitably shaped and polished, are made to extend beyond the outside of the rails.

The billiard-table, so constructed, is placed and leveled for use upon an ordinary table or other suitable support. It is easily removed when not in use, and is also reversible, the bottom of the marble bed being polished; and, when not in use as a billiard-table, may be turned upside down and used as an ordinary marble-top table.

In this simple but substantial manner I construct a portable billiard-table with an accurate and unyielding bed, and firmly-supported cushions, that is also easily handled, is not affected by atmospheric changes, is reversible, and susceptible of extreme elegance of finish.

I claim as my invention—

A portable billiard-table consisting of the marble or other bed *A*, formed of a single piece, in combination with the rail *B* and cushion *c*, when said parts are constructed and arranged substantially as described.

Witnesses: L. C. PRINDLE.

E. F. BODEY,  
GEO. E. GRIGGS.