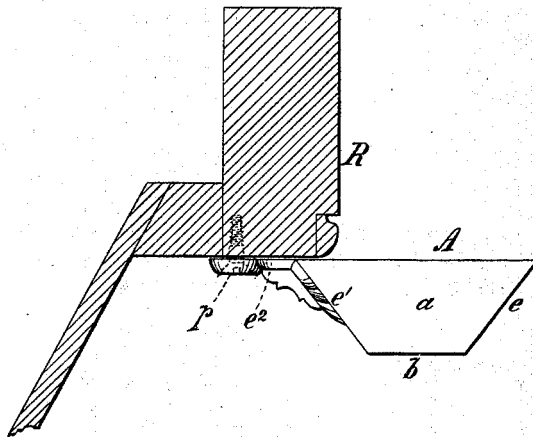


**J. PLUNKETT.**  
**Chalk-Holders for Billiard-Tables.**

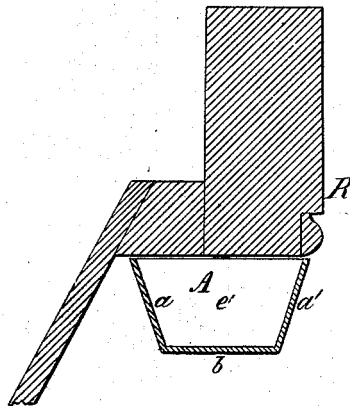
No. 146,356.

Patented Jan. 13, 1874.

*Fig. 1.*



*Fig. 2.*



*Witnesses;*

*J. A. Barney*  
*Geo. H. Miatt*

*Inventor;*

*Jules Plunkett*  
*by Edw. C. Trinity*  
*Atty.*

# UNITED STATES PATENT OFFICE.

JULES PLUNKETT, OF NEW YORK, N. Y.

## IMPROVEMENT IN CHALK-HOLDERS FOR BILLIARD-TABLES.

Specification forming part of Letters Patent No. **146,356**, dated January 13, 1874; application filed December 6, 1873.

*To all whom it may concern:*

Be it known that I, JULES PLUNKETT, of the city and State of New York, have invented certain Improvements in Chalk-Pockets for Billiard-Tables, of which the following is a specification:

My improvement consists in making a chalk-pocket with a rectangular bottom, slightly inclined plane sides, and more considerably inclined ends, one of which has an outward flange, which is perforated to engage the pivot upon which the pocket swings.

The objects of the invention are, to secure the cubes of chalk, which are commonly used, against dislodgement by a sudden movement of the pocket; to enable the pocket to be swung in either direction completely under the rail to which it is attached, so that no portion of it will project beyond the face of the rail; to lessen the cost of construction; and to obtain these advantages without diminishing the capacity of the pocket or lessening the facility with which the chalk may be taken from it when required for use.

The drawings are as follows, viz: Figure 1, a side view of my pocket attached to a section of a billiard-table rail and swung outward; and Fig. 2, a transverse section of the pocket swung under the rail.

The pocket A may be made of metal, cast or otherwise formed of the shape indicated, so that the bottom *b* is rectangular and slightly larger than the base of the cube of billiard-

chalk. The sides of the pocket *a* and *a'* are slightly inclined planes longitudinally parallel to the sides of the chalk-cube. The ends of the pocket *e* and *e'* are more inclined, so that the chalk cube may be easily taken out. The inner end *e'* terminates in the outward flange *e''*, which is perforated to admit the pivot *p*, the latter being affixed to the under side of the rail R.

It will be seen, in Fig. 2, that the pocket swings completely under the rail, and it is obvious that in case of a sudden and violent motion of the pocket back or forth, one or the other sides *a* or *a'*, as the case may be, will present a plane of direct resistance at substantially a right angle to the line of motion, which will arrest the contained chalk and prevent it from sliding out of the pocket.

A pocket having plane sides is more easily and cheaply polished or otherwise finished and ornamented than the hemispherical chalk-pockets heretofore used.

I claim as my invention—

The combination, with a billiard-table rail, of a chalk-pocket having a rectangular bottom and plane sides and ends of prescribed inclinations, substantially as and for the purposes set forth.

JULES PLUNKETT.

Witnesses:

CHAS. H. SHARP,  
EDWD. PAYSON.