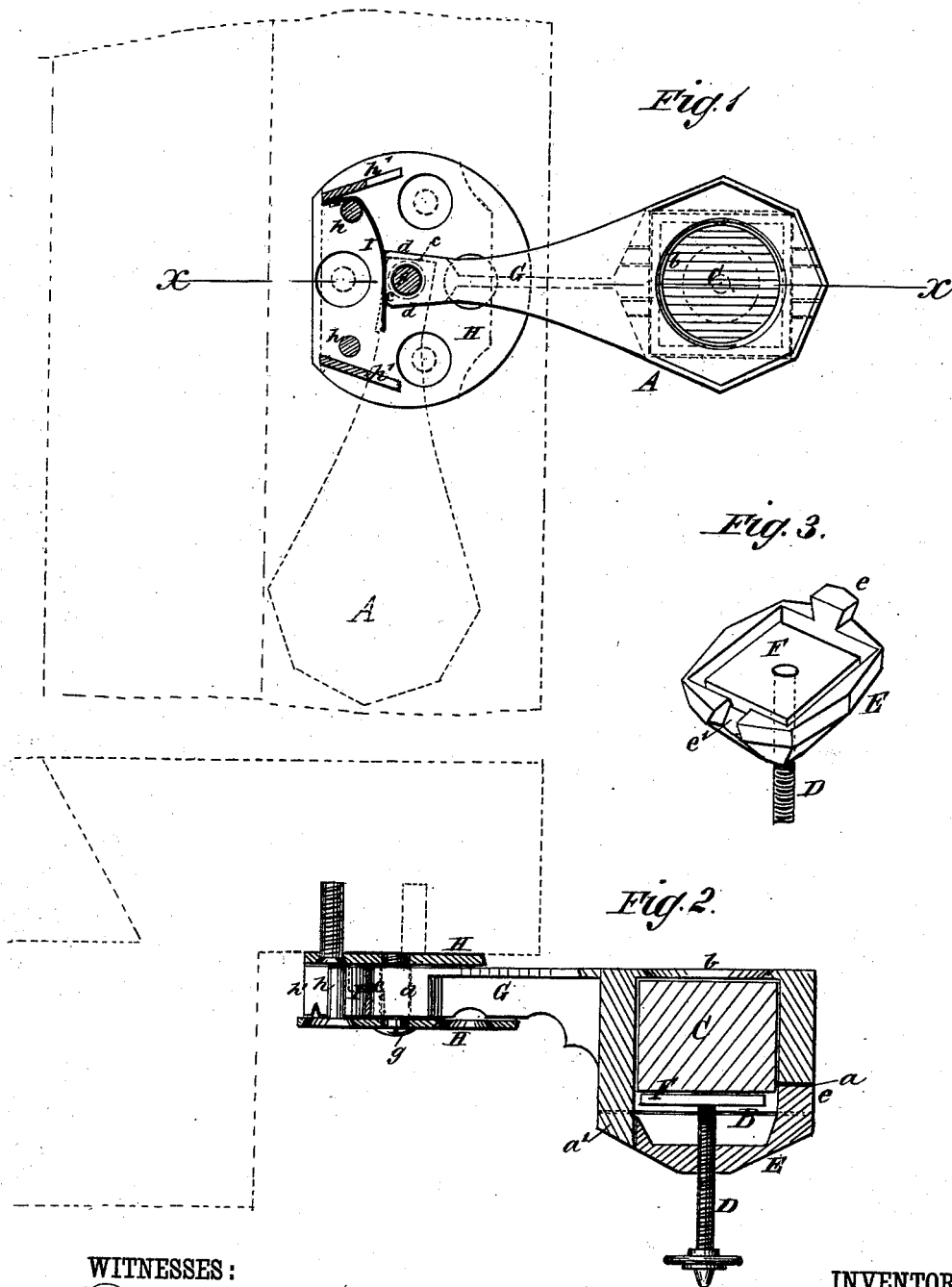


A. N. ROUECH.
Chalk-Holders for Billiard-Tables.

No. 222,953.

Patented Dec. 23, 1879.



WITNESSES:
Francis McArdle,
C. Sedgwick

INVENTOR:
A. N. Rouech
BY *[Signature]*
ATTORNEYS.

UNITED STATES PATENT OFFICE.

AZELL N. ROUECH, OF BAY CITY, MICHIGAN.

IMPROVEMENT IN CHALK-HOLDERS FOR BILLIARD-TABLES.

Specification forming part of Letters Patent No. 222,953, dated December 23, 1879; application filed March 20, 1878.

To all whom it may concern:

Be it known that I, AZELL N. ROUECH, of Bay City, in the county of Bay and State of Michigan, have invented a new and Improved Chalk-Holder, of which the following is a specification.

My invention relates to an improved construction of chalk-cups, such as are used on billiard-tables for holding chalk for application on the tips of billiard-cues, the object being to make convenient the chalking of the cue without handling the chalk, and to keep the latter and the cup from rattling and shaking at the concussion of the balls with the cushion of the table.

To keep the chalk firm, the cup or holder is provided with a square or prismatic opening suitable to receive the similar-shaped block of chalk, which is compressed between the partly-closed top and a follower on its under side by a central screw in the bottom of the holder.

The bottom is made detachable by being provided with a dovetailed slot and projection fitted to engage with a corresponding projection and slot on the cup, and is locked by the tightening of the screw against the chalk-block.

The top of the cup is made to cover the upper corners and edges of the chalk-block, leaving a round hole in the center large enough to admit for chalking the tip of the cue.

To keep the cup from shaking and protruding beyond the edge of the table when not desired, the pivoted shank of the cup is squared off on its end and actuated by a spring secured to the shank-holder for keeping the cup projecting beyond or covered by the edge of the billiard-table, according as the spring is in contact with the extreme end or sides of the shank.

In the accompanying drawings, Figure 1 represents a top view of my improved chalk-holder, partly in section. Fig. 2 is a vertical section of the same, taken through the line *x* of Fig. 1. Fig. 3 is a perspective view of the detachable bottom with screw and follower.

Similar letters of reference indicate corresponding parts.

In Figs. 1 and 2 the device is shown in position for use, being at right angles to the edge of the billiard-table, part of which latter is indicated in dotted lines on the drawings.

A is the chalk-cup, provided with the prismatic or square opening B, closed at the top, except to have a suitable hole, *b*, for admitting the tip of the cue. C is a chalk-block, held firm in the cup A by the screw D, fitted in the center of the bottom E and the follower-plate F.

The bottom E is provided at opposite ends with a dovetailed projection, *e*, and a dovetailed slot, *e'*, by which it is made to fit the corresponding slot *a* and projection *a'*, formed in the casting of the cup A, and is attached to the latter by being slid into the dovetailed joints laterally, and secured by tightening the screw D against the chalk-block.

The cup A is pivoted at *g*, by the end of its shank G, between two plates, H, which are pivoted together by studs *h* to leave a suitable opening between them.

The extreme end, *e*, of the shank G is squared off or flattened at about right angles to the sides *d*, and is pressed by the spring I to hold the cup steady in position for use.

When the cup is turned in the position indicated by dotted lines, or out of use, the spring I presses flat upon one or the other of the opposite sides *d* of the shank and keeps the cup from shaking and changing position until wanted, the motion inward being limited by the right and left stops *h'*.

The holder is secured to the table by screws through the upper plate H.

Having thus described my invention, I claim as new and desire to secure by Letters Patent—

In a billiard-table chalk-holder, the detachable bottom E, provided at opposite ends with a dovetailed projection and slot, in combination with the follower-screw, as and for the purpose specified.

AZELL NICKOLLAS ROUECH,

Witnesses:

LAWRENCE MCHUGH,
PATRICK CARNEY.