

E. BRUNSWICK.

ATTACHMENT FOR BILLIARD TABLES.

No. 301,957.

Patented July 15, 1884.

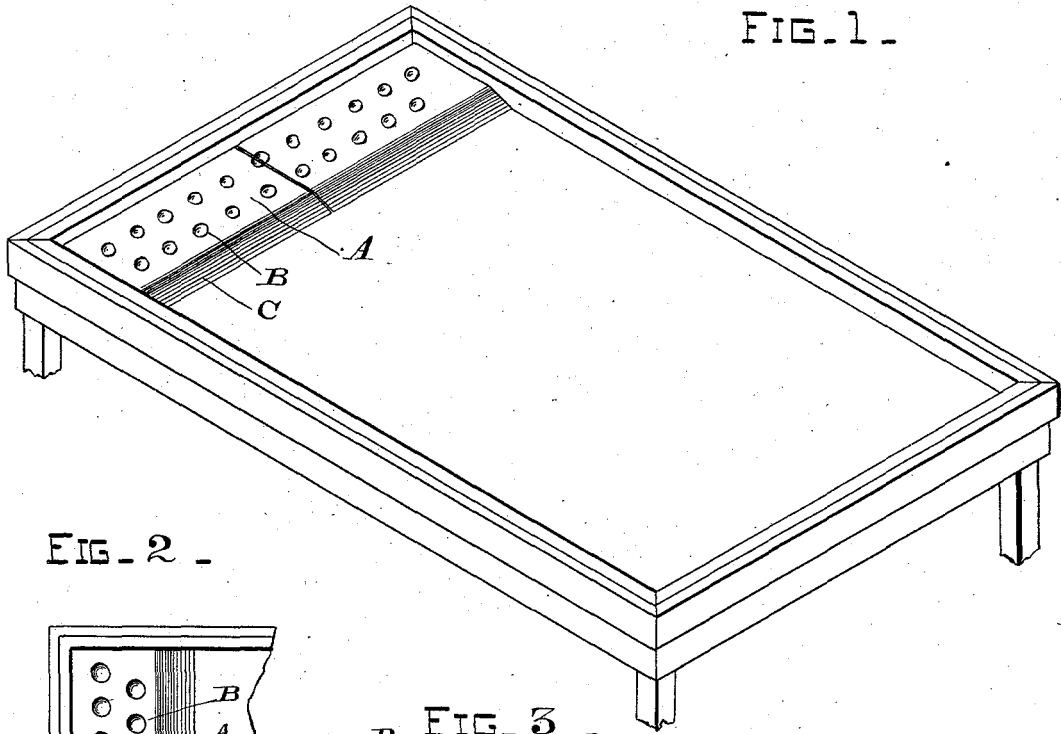


FIG. 1 -

FIG. 2 -

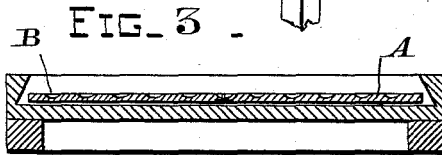
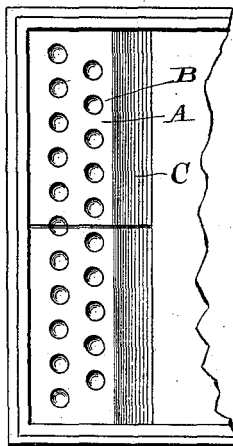


FIG. 3 -

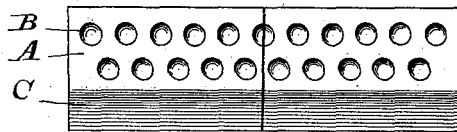
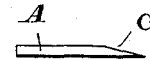


FIG. 4 -

FIG. 5 -



WITNESSES -

*Milner Bradford*  
*A. R. Brown.*

INVENTOR

*Emmanuel Brunswick*  
*By G. W. M. Smith*  
*Attorney -*

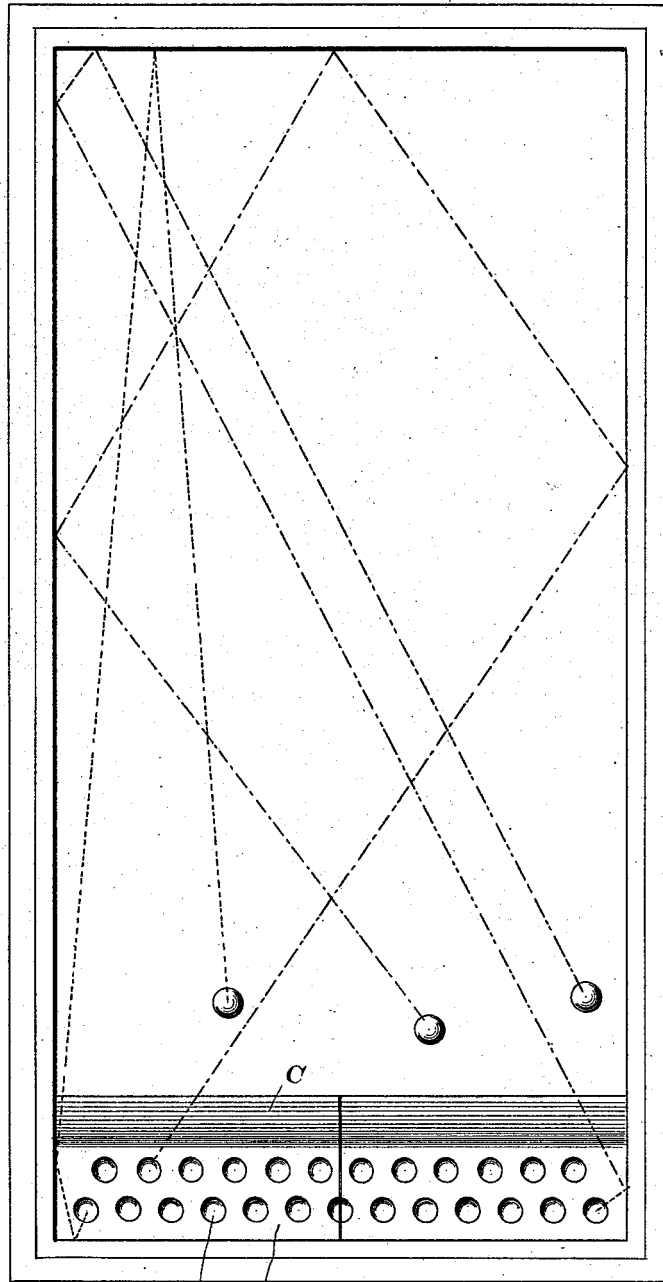
E. BRUNSWICK.

ATTACHMENT FOR BILLIARD TABLES.

No. 301,957.

Patented July 15, 1884.

FIG. 6 .



WITNESSES.

*Wilmer Bradford*  
*Joseph Cooney*

B A

INVENTOR.

*Emanuel Brunswick*  
 By *L. W. M. Smith*  
 Attorney.

# UNITED STATES PATENT OFFICE.

EMANUEL BRUNSWICK, OF SAN FRANCISCO, CALIFORNIA.

## ATTACHMENT FOR BILLIARD-TABLES.

SPECIFICATION forming part of Letters Patent No. 301,957, dated July 15, 1884.

Application filed February 23, 1884. (No model.)

*To all whom it may concern:*

Be it known that I, EMANUEL BRUNSWICK, a citizen of the United States, residing at San Francisco, in the county of San Francisco and State of California, have invented certain new and useful Improvements in Attachments for Billiard-Tables, of which the following is a specification.

The object of my invention is to provide an improved attachment for use upon the bed of a billiard-table, by means of which a game can be played combining the principles of the game of billiards and of the game called "bagatelle" or "pigeon-hole," and I accomplish this object by placing across one end of the table a slab or raised plate having ball-seats, and an inclined surface at its front edge, upon and over which the balls roll to reach the flat surface upon which the ball-seats are recessed.

In the accompanying drawings, forming a part of this specification, Figure 1 is an isometrical view of the top of a billiard-table, showing my improved attachment applied thereto. Fig. 2 is a plan view showing the attachment in position. Fig. 3 is a longitudinal vertical section through the attachment and table-bed. Fig. 4 is a plan view of the attachment, and Fig. 5 is an end view of the same. Fig. 6 is a top view of a billiard-table, showing my improved attachment in position, the dotted lines indicating the path traveled by the balls when shot from different positions.

Similar letters of reference are used to indicate like parts throughout the several figures.

My improved attachment for billiard-tables is made in the form of a tablet, A, rectangular in plan, and of a length equal to (or nearly so) the width of the bed of the table upon which it is used. The width of the tablet is sufficiently great to accommodate two rows of interspaced ball seats or pockets, B B, and an incline, C, upon the front edge of the tablet up which the balls roll after cushioning on the opposite end of the table, as shown in Fig. 6. This tablet is preferably made of wood, but metal or hard rubber will answer equally as well, and the sharp edge at the base of the incline may be edged or faced with metal and should lie closely upon the bed of the table, so that no obstruction will be offered to the ball as it rolls upon the incline. The ball seats or pockets B B are countersunk in

the upper face of the tablet, and the upper edges of these cavities are all on the same horizontal line and parallel with the bed of the table.

For the sake of convenience the tablet is made in two sections by dividing it crosswise at the center of its length; and these two sections are secured together by blind hinges let into the under face of the tablet; thus permitting the tablet to lie perfectly smooth and flat upon the surface of the table.

The ends of the tablet may be made square or vertical, as shown, or they may be made inclined, so as to conform to the incline given to the under side of the side cushions.

In practice the tablet is placed at one end of the table and the hinged sections are pressed down flat upon the bed, thus forming a raised surface having a double bank of interspaced ball-pockets into which the balls roll after passing up the incline C, and as each of these ball-pockets is provided with a number, the object of the player will be to pocket his ball in the hole having the highest number attached thereto, and with a tablet thus constructed the player can calculate his angles and make his shots with accuracy and precision.

I am aware that a marble slab having pockets or ball-seats has heretofore been placed in one corner of a billiard-table, such slab being provided on one side with an inclined plane, and on another side at a right angle to said incline with a cushion or rail. This, however, I do not claim. The marble slab above referred to has not, so far as I am aware, been made in sections connected by hinges, as contemplated by my invention. Therefore,

Having thus fully described my invention, what I claim as new, and desire to secure by Letters Patent, is—

The combination, with a billiard-table, of a tablet, A, made in sections connected by hinges, said tablet being adapted to extend across one end of the billiard-table, and provided with a series of ball-pockets, B, and an inclined edge, C, substantially as described.

In testimony that I claim the foregoing I have hereunto set my hand and seal.

EMANUEL BRUNSWICK. [L. S.]

Witnesses:

WILMER BRADFORD,  
CHAS. E. KELLY.