

(No Model.)

2 Sheets—Sheet 1.

R. N. BARGER.

COMBINED FOLDING BED, BILLIARD TABLE, &c.

No. 481,385.

Patented Aug. 23, 1892.

Fig. 1.

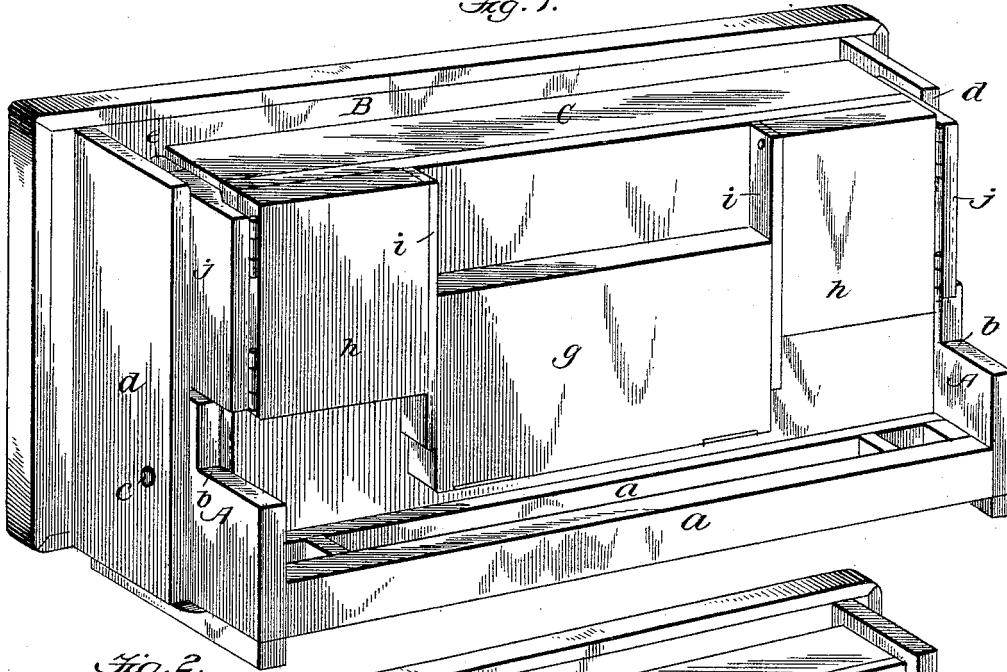
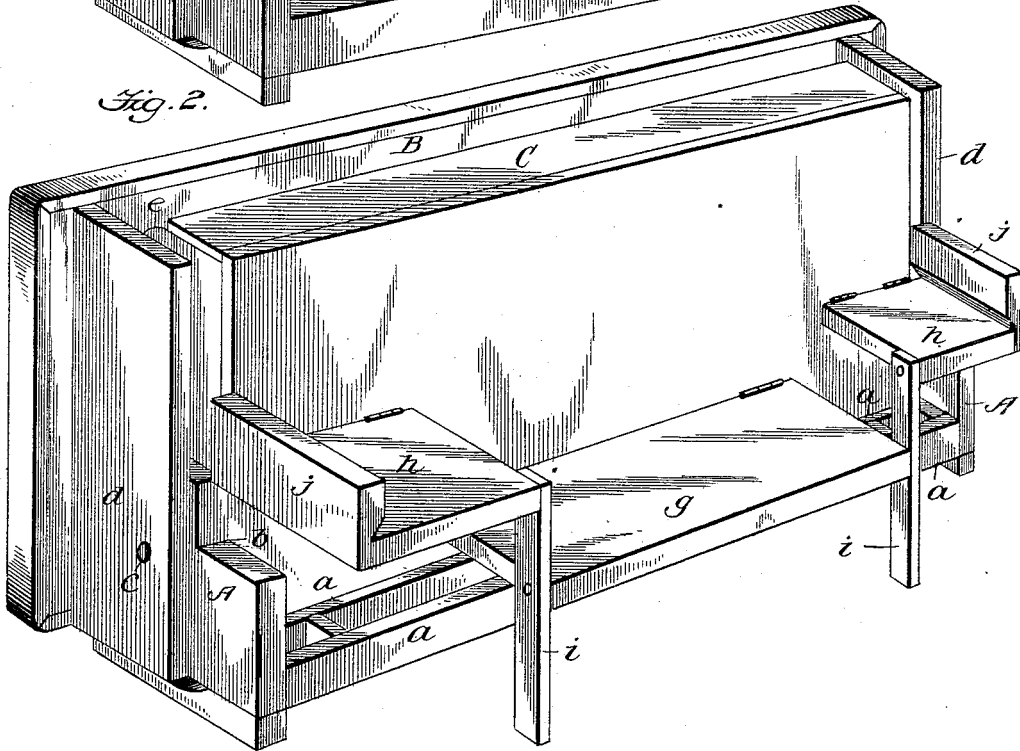


Fig. 2.



Witnesses:
E. E. Ellis
Carlus Hammon

Inventor:
Robert N. Barger
 By *Geo. W. Antire*
 Attorney.

(No Model.)

2 Sheets—Sheet 2.

R. N. BARGER.
COMBINED FOLDING BED, BILLIARD TABLE, &c.

No. 481,385.

Patented Aug. 23, 1892.

Fig. 3.

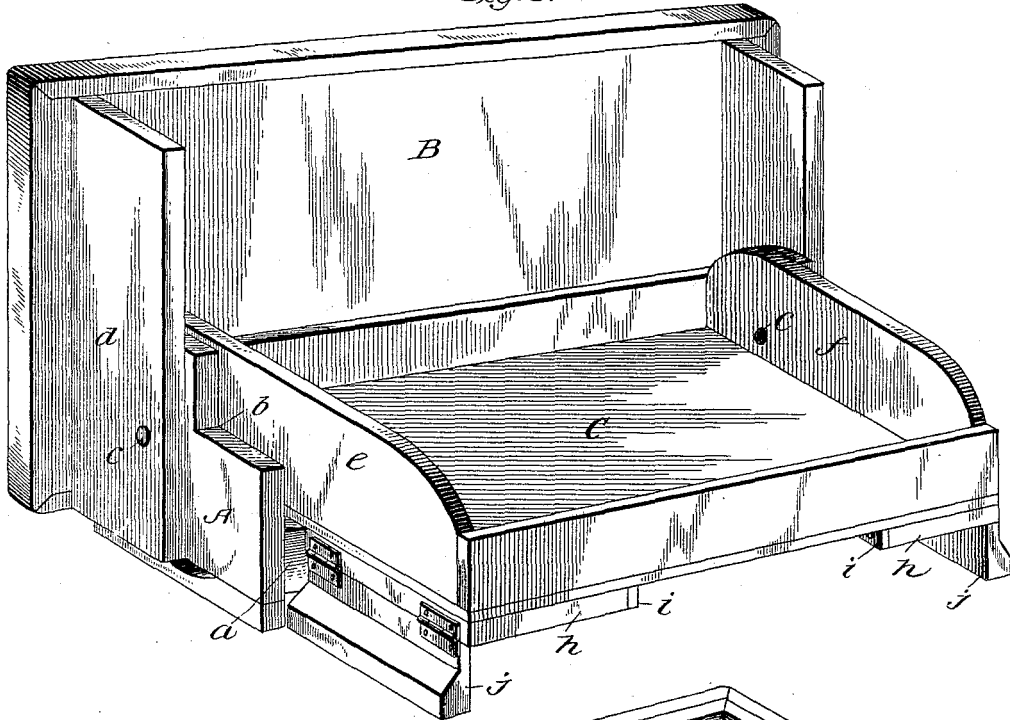
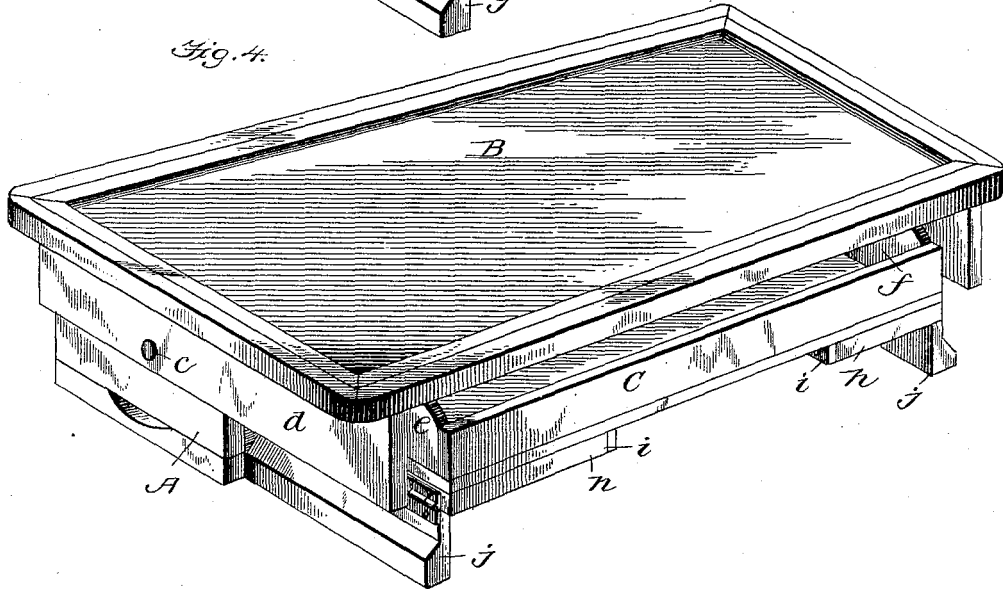


Fig. 4.



Witnesses:
E. Everett Ellis
Curtis Hammond

Inventor:
Robert N. Barger
By: *J. C. W. Antero*
Attorney.

UNITED STATES PATENT OFFICE.

ROBERT N. BARGER, OF HOPEDALE, ILLINOIS.

COMBINED FOLDING BED, BILLIARD-TABLE, &c.

SPECIFICATION forming part of Letters Patent No. 481,385, dated August 23, 1892.

Application filed March 30, 1892. Serial No. 427,065. (No model.)

To all whom it may concern:

Be it known that I, ROBERT N. BARGER, a citizen of the United States, residing at Hope-
dale, in the county of Tazewell and State of
Illinois, have invented certain new and useful
Improvements in a Combined Folding Bed,
Billiard Table and Rack, and Settee; and I do
hereby declare the following to be a full, clear,
and exact description of the invention, such
as will enable others skilled in the art to which
it appertains to make and use the same.

This invention relates to certain new and
useful improvements in combination folding
bedstead, table, settee, and rack; and it con-
sists, substantially, in such features of arrange-
ment, construction, and combinations of parts,
as will hereinafter be more particularly de-
scribed, and pointed out in the claims.

The object of the invention is to provide in
one compact structure several useful articles
of household furniture which can all be folded
up out of the way and again separately low-
ered into position for use, substantially as
will more fully hereinafter appear when taken
in connection with the accompanying draw-
ings, in which—

Figure 1 represents a perspective view of
the entire structure when folded up out of the
way. Fig. 2 is a similar view of the same
structure having the settee unfolded or low-
ered down in position for use. Fig. 3 is also
a perspective view of the structure having
the bed lowered into position for occupancy
or use. Fig. 4 is a perspective view showing
the structure when lowered into the position
of a billiard-table, the bed of the table being
that portion which constitutes the back of the
structure when folded up as shown in the pre-
ceding figures.

In carrying my invention into effect I pro-
vide a suitable main supporting-frame, to
which the several parts are firmly and strongly
pivoted, so as to render the entire structure
both firm and capable of withstanding the
strain naturally imparted thereto in the rais-
ing and lowering thereof, according to which
one of the articles of furniture are to be used.
The said main supporting-frame is connected
or intersected at its front portion by a longi-
tudinal rack, which, in addition to forming a
strengthening-brace for the frame, also con-
stitutes a shelf or rack for supporting billiard

cues and balls. To the rear of said longitu-
dinal rack a strengthening-rod also intersects
the two sides of the main frame, so that there
is no liability of the frame becoming loosened
or separated from constant use.

Pivoted to the two sides of the main frame
is a table, preferably a billiard-table, having
the usual elastic cushions and cloth-covered
surface, the said table being provided with
two side portions on its inner or under side,
which serve to receive between them the head
and foot boards of that portion of the struc-
ture which constitutes the bed or bed-lounge,
whichever it may be desired to call it. The
said side portions of the table are pivoted to
the outer sides of the main frame, while the
head and foot board of the bed or bed-lounge
are pivoted to the inner sides of said main
frame, thus allowing sufficient space between
the two to enable the bed to be folded up into
place in the manner shown in the drawings.

Hinged to the under side of the bed or bed-
lounge is a folding settee constituted of a
central seat and two elevated arm or head
rests, which are also hinged or pivoted to the
underside of the bed or bed-lounge, these lat-
ter portions being so braced and connected as
to be readily unfolded or lowered into position
for use and firmly supported while in such po-
sition.

Reference being had to the several parts by
the letters marked thereon, A A represent the
two side portions of the main frame, which, as
shown, are connected or intersected by two
longitudinal strips *a a*, which constitute be-
tween them a rack which may be used for
holding or supporting the usual billiard cues
and balls employed in the well-known game
of billiards. The said portions A A are
notched or recessed, as at *b b*, and the same
are intersected or connected at the rear by a
longitudinal rod, (not shown,) so as to impart
strength to the frame while in use. The said
frame is supposed to rest upon the floor of the
room in the manner shown in the several fig-
ures of the drawings, and hinged or pivoted
thereto at *c c* are the two under portions *d d*
of a table B, which is preferably constructed
on its upper surface in the manner of the usual
billiard-table, although for all the purposes
of the present invention the said table may
be that usually employed for dining or other

similar purposes. The under portions of the said table fit closely against the sides of the main frame, as shown, and when the table is not to be used it is folded back in the manner shown in Figs. 1, 2, and 3 of the drawings; but when lowered into position for use it occupies the position shown in Fig. 4. Also pivoted or hinged to the sides of the main frame within and by means of the same pivot on which the table works is a folding bed or bed-lounge, which when lowered for use occupies the position shown in Fig. 3 of the drawings. This bed or bed-lounge is indicated by the letter *C*, while the letters *e* and *f* indicate, respectively, the head and foot board thereof, which latter moves between the sides of the main frame; the thickness of the material of which the latter is constructed furnishing sufficient space between said head and foot board and the under portions of the table so as to enable free movement between these parts with respect to each other.

Pivoted or hinged to the under side of the bed or bed-lounge is a folding settee constituted of the central portion *g* and the end portions *h h*, the said central and end portions being connected by the movable supports or legs *i i* in such manner as to be firmly held or supported when unfolded into position for use, as shown in Fig. 2 of the drawings. Each of the end portions *h h* is formed or provided with a folding arm *j*, which when the settee is folded down for use may be turned downwardly in such manner as that a portion thereof will be made to rest within the notched portion of the main frame and be thereby additionally supported or strengthened against any weight which may be imposed thereon. These hinged or folding arms are also folded downwardly whenever the bed or table is turned over into position for use, (see Figs. 3 and 4,) and in this way the said arms also serve as supports for both the bed and table whenever they are turned down.

From the foregoing description it will be seen that several useful articles of household furniture are made up or combined in one structure, which when all the parts are folded up will occupy but small space in a room,

which is a very great desideratum in this line of inventions. It will further be seen that when either one of the articles is to be used little or no trouble will be had in lowering or unfolding the same in the manner already described, and clearly illustrated in the drawings.

Having thus described my invention, what I claim as new, and desire to secure by Letters Patent, is—

1. A combination article of furniture comprising in its organization a main frame or supports intersected by longitudinal strips constructed to hold billiard balls or cues and formed with notches *b b* therein, the bed pivoted to and folding within or between said supports, a table having pendent portions embracing the outer sides of said supports and movably connected thereto by the same pivot which holds the bed, and the settee hinged to the underside of the bed and constructed with the central rest and the two end rests, each of the said end rests being provided with hinged arms, which may be turned upwardly or downwardly, substantially as shown and described, and for the purpose set forth.

2. A combination article of furniture comprising the main frame having the notches or recesses therein, the bed folding within the main frame, and the settee hinged or pivoted to the under side of the bed, the said settee being constituted of the central rest and the two end rests, each of the latter being provided with hinged arms which fold downwardly and fit within the notches of the main frame, substantially as described.

3. A combination article of furniture comprising the main frame, the table, the bed, and the settee, the latter having the hinged arms for resting upon the floor when either the table or bed is lowered into position for use, substantially as described.

In testimony whereof I affix my signature in presence of two witnesses.

ROBERT N. BARGER.

Witnesses:

E. EVERETT ELLIS,
EWELL A. DICK.