

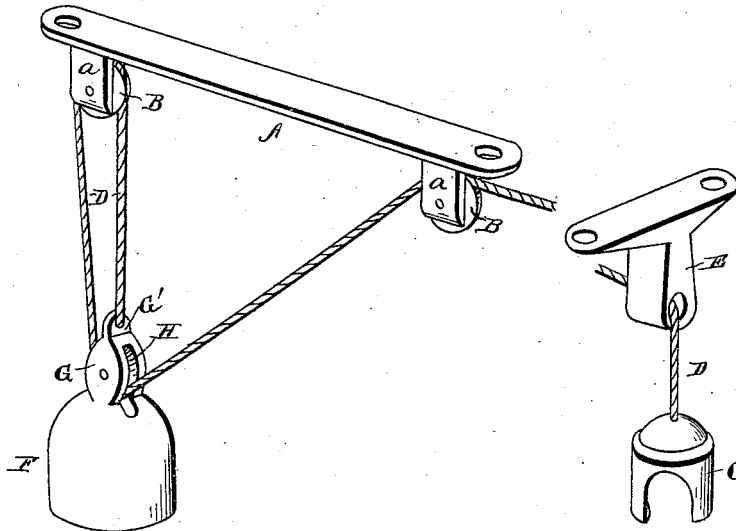
(No Model.)

J. W. KLAPPERICH.  
CHALK HOLDER.

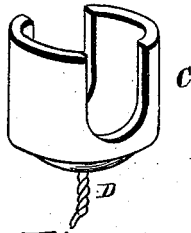
No. 469,150.

Patented Feb. 16, 1892.

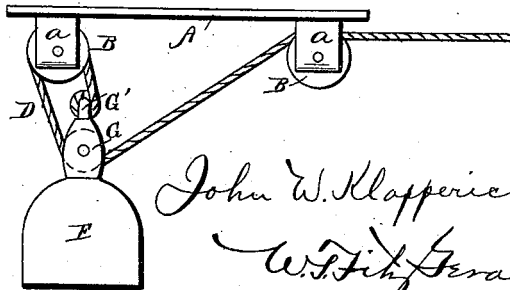
*Fig. 1.*



*Fig. 2.*



*Fig. 3.*



Witnesses  
*A. J. Schwartz*  
*C. S. Pyle.*

*John W. Klapperich* Inventor;  
*W. F. Fitzgerald & Co.,*  
Attorneys.

# UNITED STATES PATENT OFFICE.

JOHN W. KLAPPERICH, OF CHICAGO, ILLINOIS, ASSIGNOR OF ONE-HALF  
TO J. H. THOMAS, OF SAME PLACE.

## CHALK-HOLDER.

SPECIFICATION forming part of Letters Patent No. 469,150, dated February 16, 1892.

Application filed May 22, 1891. Serial No. 393,777. (No model.)

*To all whom it may concern:*

Be it known that I, JOHN W. KLAPPERICH, a citizen of the United States, residing at Chicago, in the county of Cook and State of Illinois, have invented certain new and useful Improvements in Chalk-Holders; and I do hereby declare the following to be a full, clear, and exact description of the invention, such as will enable others skilled in the art to which it appertains, to make and use the same.

My invention consists in a chalk-holder for billiard-tables, which is adapted to be secured out of the way beneath the billiard-table, the chalk being held in a rubber cup, which can be readily reached by the hand and drawn out when required for use in chalking the tip of the cue, and as soon as released a weighted pulley takes up the slack of the cord and draws the rubber cup and chalk up under the edge of the billiard-table, where it is out of the way and is within convenient reach for instant use when required.

The invention will be hereinafter fully described and claimed.

Referring to the accompanying drawings, Figure 1 is a perspective view of the entire device. Fig. 2 illustrates in detail on an enlarged scale the rubber chalk-cup. Fig. 3 illustrates in detail the weighted pulley and the bracket with its grooved pulleys.

Referring to the several parts by letters, A indicates a small bracket, which is secured beneath the billiard-table, usually at about the center of the same. This bracket is formed with the two end bearings *a*, in which are journaled the two grooved rollers B B.

C indicates the rubber chalk-holding cup, which is preferably made of the form shown, to adapt it to receive and hold within it a piece of chalk for chalking the tips of billiard-cues. This rubber cup C is secured to one end of a cord D. This cord first passes through a small bracket E, which is secured at a convenient point beneath the outer edge of the billiard-table, and then runs under the table to the central bracket A, passing over one of the grooved pulleys B.

F indicates a weight of suitable size, on the upper end of which is formed a small sheave-block G, in which a small grooved roller H is journaled, a perforated lug or projection G' being formed at the upper end

of the block G. The cord, after passing over the first grooved pulley B of the central bracket A, passes down through the sheave-block G, under the grooved roller H, then up and over the second grooved roller B of the bracket A, and the inner end of the cord is finally secured in the apertured lug G'. The weight F will of course overbalance the weight of the chalk-cup C, and will take up the slack of the cord, and by the peculiar construction and arrangement of the parts shown it will be seen that while the distance between the fixed bracket A and the weighted pulley F G is usually eighteen inches, the chalk-holder can be pulled out for three times that length, as will be readily understood by reference to Fig. 1 of the drawings.

It will be seen that when the chalk is required for use it is only necessary to reach under the edge of the billiard-table and take hold of the rubber cup C and draw the same out as far as desired, to use the chalk, and as soon as through with it the player releases the chalk-cup, when the weighted pulley F G will take up the slack of the cord D and draw the chalk-cup close up under the edge of the billiard-table, where it is entirely out of the way, and yet can be reached in an instant. I make the chalk-holding cup of rubber, so that when it flies up and comes in contact with the billiard-table, it will not mar or scratch the same.

Having thus described my invention, what I claim, and desire to secure by Letters Patent, is—

The combination of the inner bracket A, having the two grooved pulleys B, the small outer bracket E, the rubber chalk-cup C, the weight E, having formed upon it the sheave-block G and the perforated lug G', the grooved pulleys H, journaled in the sheave-block G, and the cord D, secured at its outer end to the chalk-cup, arranged around the grooved pulleys B, H, and B, as specified, and secured at its inner end in the perforated lug G', substantially as set forth.

In testimony whereof I affix my signature in presence of two witnesses.

JOHN W. KLAPPERICH.

Witnesses:

THEO. ROGGENBACH,  
WM. ZIMMANK.