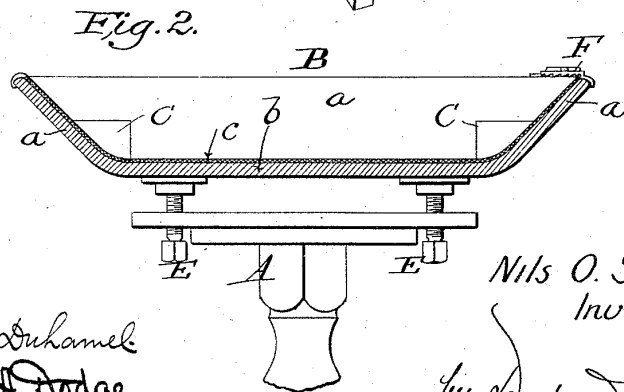
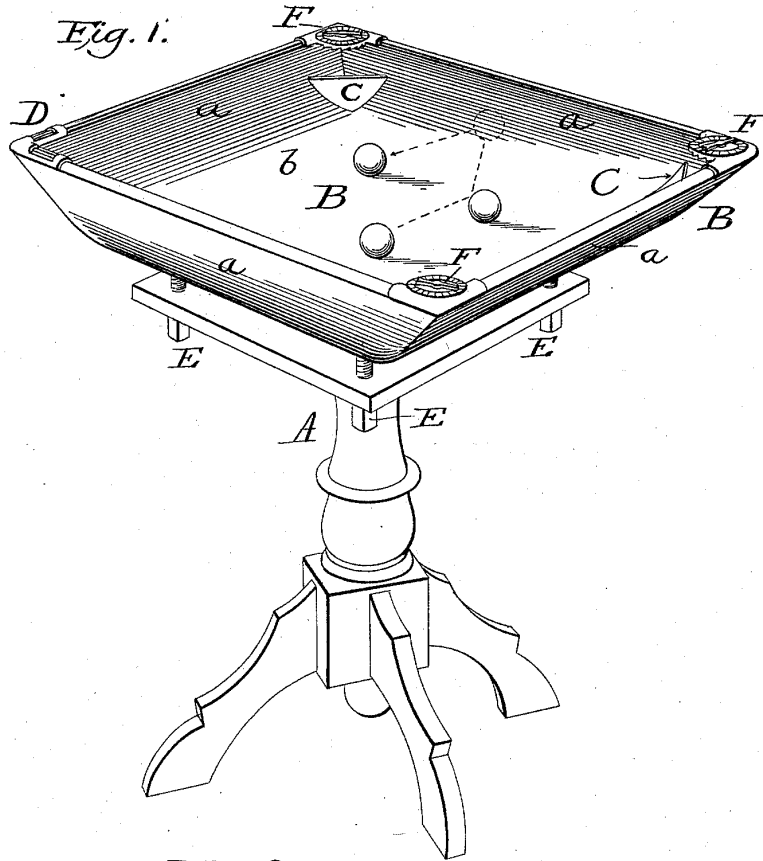


(No Model.)

N. O. STARKS.
GAME BOARD.

No. 476,324.

Patented June 7, 1892.



Witness:
James F. Duhamel
Horace A. Dodge.

Nils O. Starks,
Inventor:
by Dodge & Sons,
Attys.

UNITED STATES PATENT OFFICE.

NILS O. STARKS, OF MADISON, WISCONSIN.

GAME-BOARD.

SPECIFICATION forming part of Letters Patent No. 476,324, dated June 7, 1892.

Application filed August 31, 1891. Serial No. 404,288. (No model.)

To all whom it may concern:

Be it known that I, NILS O. STARKS, a citizen of the United States, residing at Madison, in the county of Dane and State of Wisconsin, have invented certain new and useful Improvements in Game Apparatus, of which the following is a specification.

My invention relates to game apparatus; and it consists in various features, details, and combinations hereinafter set forth and claimed.

In the drawings, Figure 1 is a perspective view of my new game apparatus, and Fig. 2 a vertical transverse sectional view.

The game designed to be played on this apparatus or game-board is somewhat on the same general principles as the well-known game of billiards and pool, though I do not wish to limit myself to those particular games by this statement.

A represents the stand or support, upon which is mounted the game board or table proper. This board B is preferably made rectangular in form, its four sides *a* sloping or curving inward toward each other at the base *b*, which latter is perfectly flat and should be perfectly level when the game is played. The upper or inner face of the board is usually covered with felt, rubber, or other smooth material *c*, so that the balls may move about without being in any manner obstructed. The board may be made of wood, metal, paper, or any other suitable material.

To insure the board being placed level with reference to its supporting-stand, I employ adjusting-screws E E, which, as shown in Figs. 1 and 2, bear against the under side of the board B, and in order that the adjustment may be facilitated I provide the board at one corner or at other points with a level D, as shown in Fig. 1. At one or more of the other corners are dials or counters F, which not only enable the score to be kept, but give strength and finish to the board as a whole. Each corner is further provided with a pocket C, which is adapted to receive the balls when pool or a similar game is played. To form these pockets, I place across each corner of

the board a curved piece of wood or similar material, which enters notches in the curved sides *a*.

To play the game, the player takes one of the balls in his hand and endeavors to make it hit two other balls, which, if he succeeds, counts a point; or he may endeavor to hit one ball and force that one to hit another or drive it in one of the pockets.

It will be seen that the curved sides of the board serve the purpose or in place of the cushions of an ordinary billiard-table, the ball rolling up and down the incline, as shown in Fig. 1. The ball thrown or projected should be slightly heavier than the others, so as to impart considerable motion to the latter when struck.

While I have shown the board or table as square, it may be of any regular form so long as the sides are curved or inclined. Nor do I mean to confine myself to the means shown for adjusting the table, as it is obvious that it can be leveled by means other than the screws.

The pockets are not essential and may be omitted when desired.

When the game apparatus is not in use, a flat top or cover may be laid upon the board B, so as to form a table; or, if preferred, the board may be removed from its supporting-stand to facilitate its storing.

Having thus described my invention, what I claim is—

1. A billiard or pool table having a flat bottom and curved or inclined sides connected directly with the bottom and up which the balls may roll, substantially as described.

2. A billiard or pool table having a flat bottom and curved sides to act in place of cushions and pieces extending diagonally across the corners to form pockets, substantially as shown and described.

In witness whereof I hereunto set my hand in the presence of two witnesses.

NILS O. STARKS.

Witnesses:
JOHN OLLIS,
H. T. LERDALL.