

UNITED STATES PATENT OFFICE.

WILLIAM PASSOW, OF CHICAGO, ILLINOIS.

GAME-BOARD.

SPECIFICATION forming part of Letters Patent No. 668,206, dated February 19, 1901.

Application filed September 11, 1900. Serial No. 29,713. (No model.)

To all whom it may concern:

Be it known that I, WILLIAM PASSOW, a resident of Chicago, in the county of Cook and State of Illinois, have invented certain new and useful Improvements in Game Boards or Tables, of which the following is a specification.

The invention designs to provide a novel game-board whereon may be played various games similar to those now commonly played on bowling-alloys; and the invention also designs to improve the construction of game-boards.

One feature of the invention consists in providing a board or alley at one end of which a place is provided where a series of pins may be set in position and at the other end of which a holder is provided in which a ball or like projectile may be placed and by which the player can "flip" or roll the ball down the alley to knock down the pins.

The invention also consists in the several novel features of construction and arrangement of game-boards hereinafter described, illustrated in the accompanying drawings, and more particularly defined by claims at the conclusion hereof.

In the drawings, Figure 1 is a perspective view of a game-board embodying the invention. Fig. 2 is a view in front elevation. Fig. 3 is a view in transverse section taken on line 3 3 of Fig. 5. Fig. 4 is a perspective view of the ball-holder. Fig. 5 is a plan view, the central portion being broken away. Fig. 6 is a view in vertical longitudinal section taken on line 6 6 of Fig. 5. Fig. 7 is a detail sectional view taken on line 7 7 of Fig. 5.

10, 11, and 12 denote suitable standards, whereupon an alley or table A is secured in desired elevation and in convenient horizontal position for a player. The standards are further secured by connecting strips or bars 13. The alley A comprises a series of strips or boards 14, extended lengthwise of the game-board, the tops or upper edges whereof form a table or surface over which the balls may be thrown or rolled, gutters 15 at the sides of the table, and sides 16 and 17 to confine the balls to the alley. At the rear end of the table pins 18 are set in desired arrangement and number, according to the game to be played. A bar 19 extends across the front of

the alley, and between the side strips 16 and 17 corner-posts 20 are secured thereto by screws 21. Front bar 19 is provided in its front side with a transverse groove or channel 22, extending across said bar. A block 23 of a ball-holder B is held in a manner free to abide in groove 22 by a retaining-bar 24, arranged in front of the holder and secured in corner-posts 20. A standard 25, formed of a flexible strip of metal, is secured to guide-block 23 by screws 26, and to the inner side of said standard is secured a curved pocket 27, usually in the shape of a human hand, wherein a ball can be placed and held. The upper terminal of standard 25 is provided with a handle 28, whereby the holder can be conveniently grasped. To the front of the holder-standard a flat spring 29 is secured, as by rivets 30. A cross-rod 31, having its terminals secured in corner-posts 20, is arranged to be engaged by the lower portion of spring 29 of the holder.

The upper portion of the holder-standard, which is flexible, can be swung forwardly against the force of spring 29, and upon sudden release such spring will cause the holder to spring backwardly and discharge the ball therefrom over the table and toward the pins 18 at the rear end. The holder may be shifted transversely at any desired position at the front of the table, and spring 29 serves also to retain the holder in assigned position by frictional contact with the cross-rod 31. The upper portion of the holder may be twisted laterally by reason of the flexibility of standard 25 to "curve" a ball after it leaves the pocket or to throw the ball obliquely across the table. A guard-rod 32 is extended across the front of the table, limits the forward shift for the holder, and prevents the holder-standard from being strained or broken. Thus it will be seen that the holder can be manipulated to throw a ball from any desired transverse position and can be twisted laterally to throw a ball obliquely across the table or to curve a ball.

At the rear of the table the sides 16 and 17 are extended upwardly to prevent the pins from being knocked thereover. Beyond the table 14 an inclined bottom 33 extends between side walls 16 and with such sides forms a pit 34, wherein the pins will fall when knocked

backwardly by the balls. A cushion-back 35, pivotally sustained, as at 36, in the side walls 16, acts as a stop for the balls and pins. A back wall 37 is provided with a circular opening or outlet 38, wherethrough the balls will pass from the pit 34 and into a return-runway 39, which is inclined downwardly and extends to the front of and beneath the table in convenient reach of the players. The bottom 33 of the pit is inclined and provided with inclined corner-pieces 40 to direct the balls through opening 38. One or more of the pins are frequently knocked through opening 38, and to prevent such pins from obstructing the prompt return of the balls over runway 39 a long slot or opening 41 is formed in the bottom of the runway of sufficient size to allow a pin to fall therethrough. To catch the pins which fall through opening 38 and those which fall through slot 41 a supplemental pit or receiver 42 is secured in position beneath the runway. The supplemental pit comprises a bottom 43, side walls 44, and a back wall 45, extended upwardly, as at 46, to prevent a ball which has been thrown with considerable force from passing over the runway. The pins caught by the supplemental pit are in convenient position to be reset by a person or player at the rear end.

In practice the game-board has been made of suitable size to be placed in a room of ordinary size. The game is usually played thus: The player stands at the front end of the table, takes a ball from those in the front end of the runway, places it in the holder, then slides the holder transversely into the desired position, according to the number and location of the pins at the rear end of the table, then retracts and, if desired, twists the holder, and then suddenly releases the holder, which causes the ball to be thrown over the alley toward the rear end. The ball thrown will strike the cushion-back, fall into the pit, and then roll out of opening 38 into the return-runway and thence roll toward the front end thereof.

Numerous kinds of games may be played on the game-board. The scoring is usually calculated according to the several systems now used in games of bowling. Considerable accuracy is required in positioning the ball-holder and some ingenuity in manipulating the holder to throw the ball in proper direction to knock down the pins.

The details of construction and arrangement may be varied by the skilled mechanic, and the features of the invention may be employed severally without departing from the spirit of the invention.

Having thus described the invention, what I claim as new, and desire to secure by Letters Patent, is—

1. The combination with a table, or board, at one end of which a series of pins may be placed, of a transversely-slidable holder at the other end thereof, whereby a ball or projectile may be thrown or rolled over the board,

or table, said holder being secured in manner free to be retracted, a spring for shifting said holder to discharge the ball, and a transverse rod against which said spring can bear.

2. The combination with a table, or board, at one end of which a series of pins may be placed, of a transversely-slidable holder at the other end thereof, whereby a ball or projectile may be thrown or rolled over the board, or table, said holder being secured in manner free to be retracted, and a guard for restricting the retraction of the holder.

3. The combination with a table, or board, at one end of which a series of pins may be placed, of a transversely-slidable holder at the other end thereof, whereby a ball or projectile may be thrown or rolled over the board, or table, said holder being secured in manner free to be retracted, a transverse rod against which said spring can bear, and a guard-rod for restricting the retracting of the holder.

4. The combination with a table or board, at one end of which a series of pins may be placed, of a transversely-slidable holder at the other end thereof, whereby a ball or projectile may be thrown or rolled over the board, or table, said holder comprising a block and a flexible standard.

5. The combination with a table or board, at one end of which a series of pins may be placed, of a transversely-slidable holder at the other end thereof whereby a ball or projectile may be thrown or rolled over the board, said holder comprising a flexible standard having its lower end secured against lateral swing and its upper end free to be twisted laterally and retracted.

6. The combination with a board or table, at one end of which a series of pins may be placed, of a transversely-slidable holder at the other end thereof whereby a ball or projectile may be rolled or thrown over the board, said holder comprising a flexible standard having its lower end secured against lateral swing and its upper end free to be twisted laterally and retracted, and a spring against the force of which said standard may be retracted for effecting the discharge of the ball or projectile from the holder.

7. The combination with a table or board, at one end of which a series of pins may be placed, of a transversely-slidable holder at the other end thereof, whereby a ball or projectile may be thrown or rolled over the board or table, which may be retracted and twisted laterally, and means for shifting said holder to discharge the ball or projectile.

8. The combination with a table or board, at one end of which a series of pins may be placed, of a transversely-slidable holder at the other end thereof, whereby a ball or projectile may be thrown or rolled over the board or table, said holder comprising a block and a flexible standard, and a spring for shifting said standard.

9. The combination with a table or board, at one end of which a series of pins may be

placed, of a transversely-slidable holder at the other end thereof, whereby a ball or projectile may be thrown or rolled over the board or table comprising a standard, which may be retracted and twisted laterally, and a spring for shifting said standard to effect the discharge of the ball or projectile from the holder.

10. The combination with a table or board, at one end of which a series of pins may be placed, of a transversely-slidable holder at the other end thereof, whereby a ball or projectile may be thrown or rolled over the board or table, said holder comprising a block, and a flexible standard, a spring for shifting said holder, and a transverse rod against which said spring can bear.

11. The combination with a table or board, at one end of which a series of pins may be placed, of a transversely-slidable holder at the other end thereof, whereby a ball or projectile may be thrown or rolled over the board or table, said holder comprising a block, a transverse rod against which said spring can bear, and a guard for restricting the retraction of said holder.

12. The combination with a table or board, at one end of which a series of pins may be placed, to be knocked down by a ball or projectile, a pit at the rear end of said table or board, a return-runway for the balls below said pit, and an opening in said runway through which pins may fall.

13. The combination with a table or board, at one end of which a series of pins may be

placed, to be knocked down by a ball or projectile, a pit at the rear end of said table or board, a return-runway for the balls, below said pit, and a supplemental pit or receiver to catch the pins knocked out of said pit.

14. The combination with a table or board, at one end of which a series of pins may be placed, to be knocked down by a ball or projectile, a pit at the rear end of said table or board, a return-runway for the balls, below said pit, an opening in said runway through which the pins may fall, and a supplemental pit or receiver for the pins.

15. The combination with a table or board, at one end of which a series of pins may be placed, to be knocked down by a ball or projectile, a pit at the rear end of said table or board, a return-runway for the balls, below said pit, and a cushion-back pivotally sustained in said pit.

16. The combination with a table or board, at one end of which a series of pins may be placed, to be knocked down by a ball or projectile, a pit at the rear end of said table or board, a return-runway for the balls, below said pit, a cushion-back pivotally sustained in said pit, an exit-opening behind said cushion-back, and above said runway, an opening in said runway through which the pins may fall, and a supplemental pit or receiver.

WILLIAM PASSOW.

Witnesses:

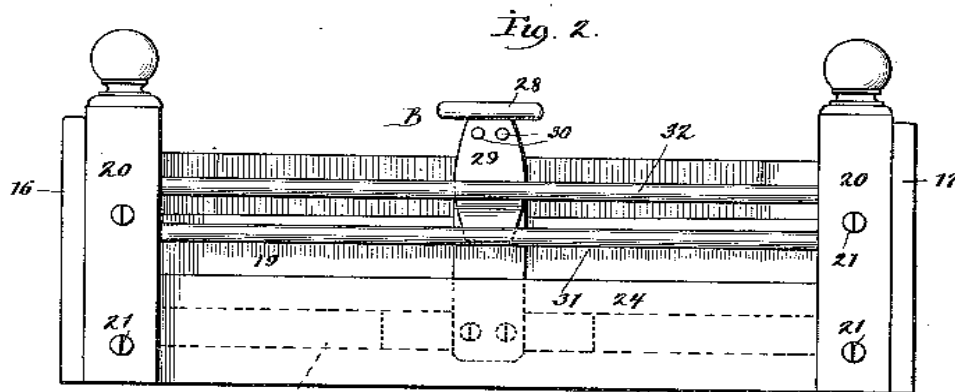
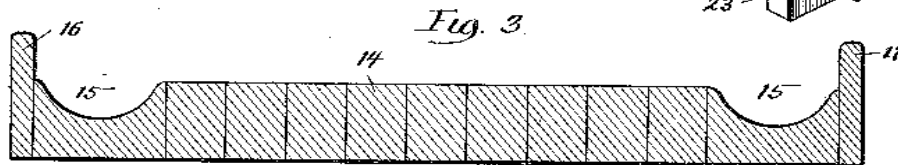
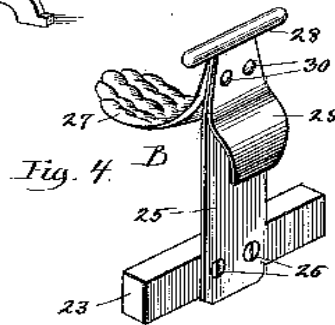
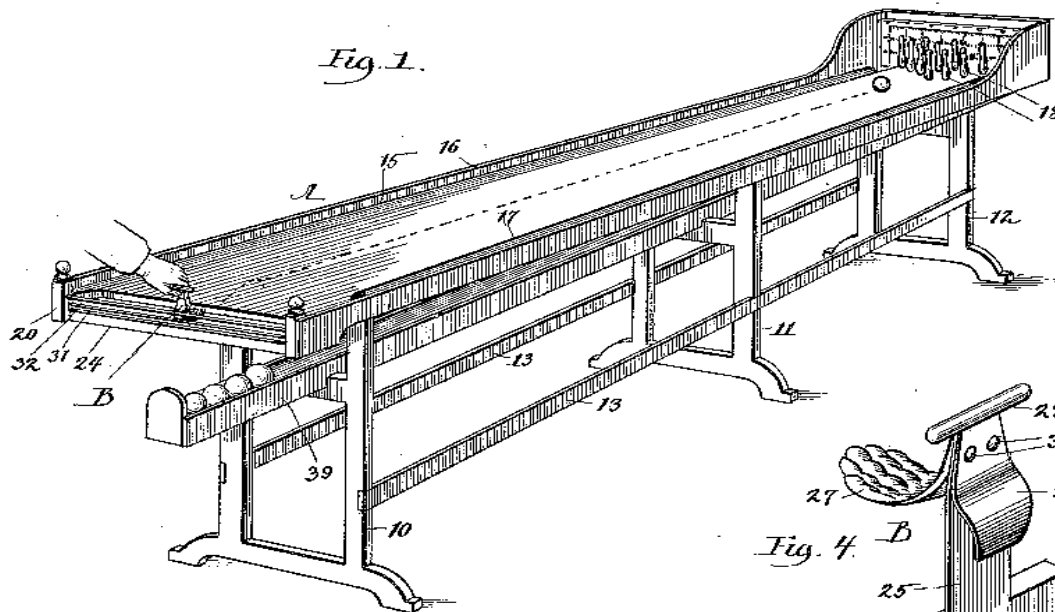
CHAS. PASSOW,
LOUIS A. PASSOW.

W. PASSOW.
GAME BOARD.

(Application filed Sept. 11, 1900.)

(No Model.)

2 Sheets—Sheet 1.



Witnesses:
Thomas H. Allford
Walter A. Harbridge

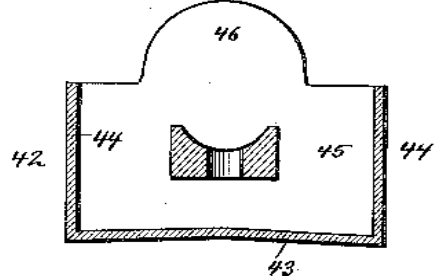
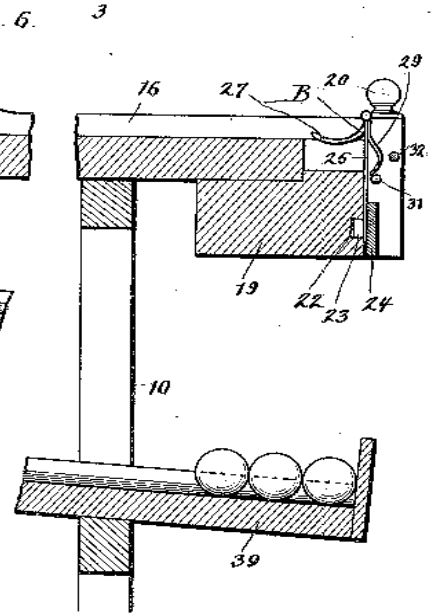
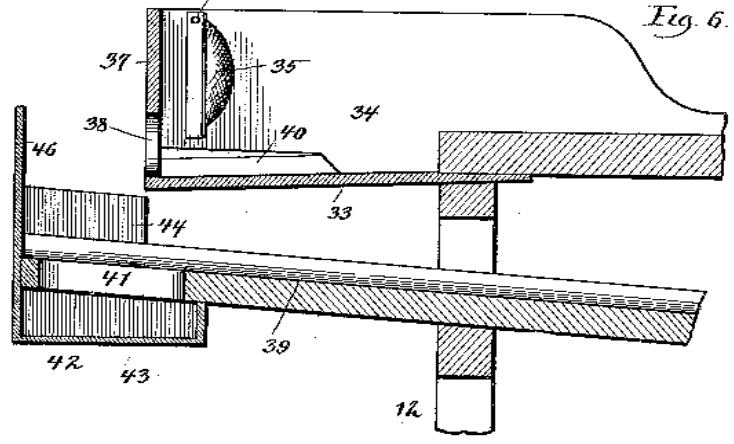
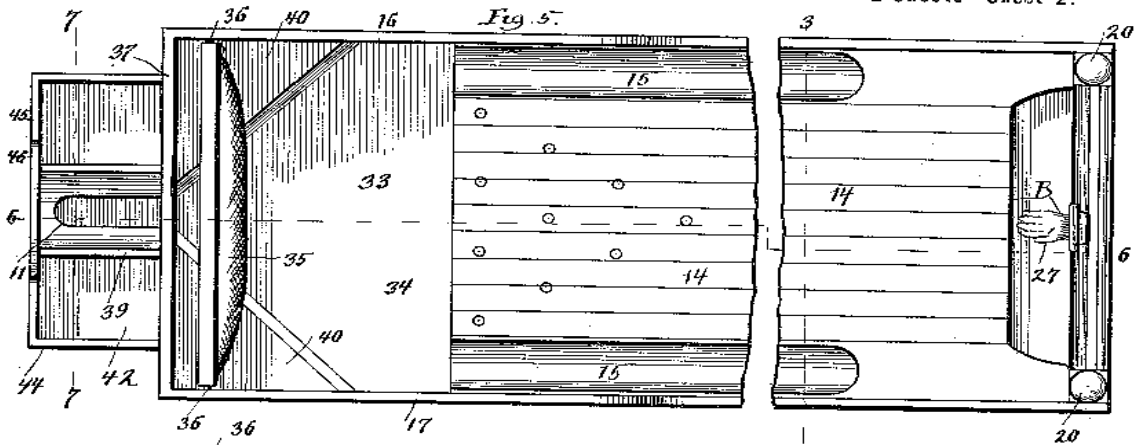
Inventor:
William Passow
 By *Fred Gerlach*
 his Attorney.

W. PASSOW.
GAME BOARD.

(Application filed Sept. 11, 1900.)

(No Model.)

2 Sheets—Sheet 2.



Witnesses:
Louis H. Allford
Chas. C. Herberich

Inventor:
William Passow
 By *Ired Gerlach*
 his Attorney.