



J. EHRENPREIS.  
COMBINED SETTEE OR SOFA AND BILLIARD OR POOL TABLE.  
APPLICATION FILED APR. 21, 1904.

2 SHEETS—SHEET 2.

Fig. 2

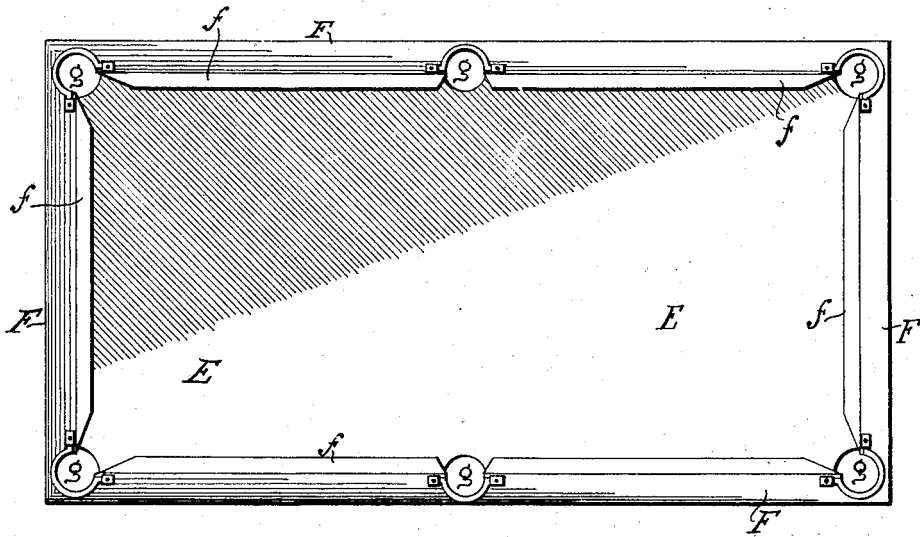


Fig. 4

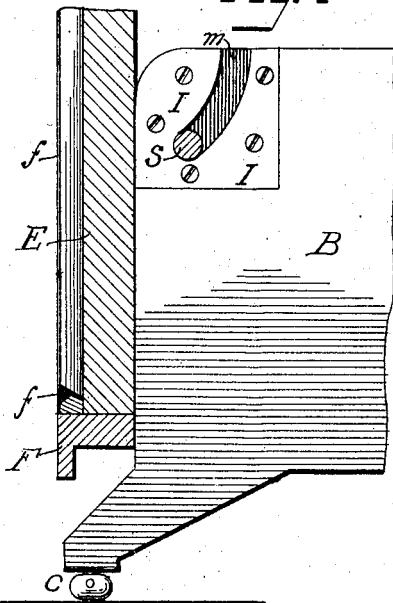
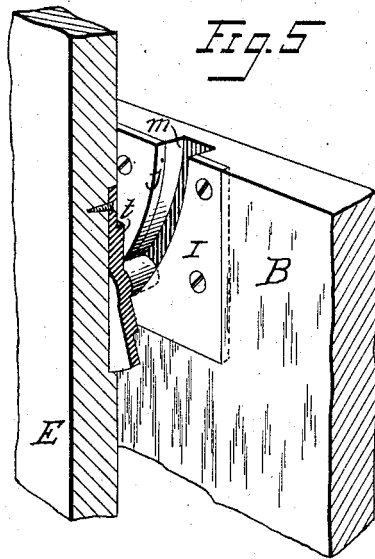


Fig. 5



WITNESSES:

*C. H. Bertholf*  
*Clare Smith*

INVENTOR

*John Ehrenpreis*

BY

*J. N. McArthur*  
ATTORNEY

# UNITED STATES PATENT OFFICE.

JOHN EHRENPREIS, OF CHICAGO, ILLINOIS, ASSIGNOR TO THE BRUNSWICK-BALKE-COLLENDER COMPANY, OF COOK COUNTY, ILLINOIS, A CORPORATION OF OHIO.

## COMBINED SETTEE OR SOFA AND BILLIARD OR POOL TABLE.

SPECIFICATION forming part of Letters Patent No. 790,040, dated May 16, 1905.

Application filed April 21, 1904. Serial No. 204,157.

*To all whom it may concern:*

Be it known that I, JOHN EHRENPREIS, a citizen of the United States, residing at Chicago, in the county of Cook and State of Illinois, have invented a new and useful Improvement in a Combined Settee or Sofa and Billiard or Pool Table, of which the following is a full, clear, and exact description, reference being had to the accompanying drawings, which form part of this specification.

My invention relates to what is known in the art as a "combined settee or sofa and billiard or pool table," and has for its object to provide for use this sort of contrivance of a superior construction with reference to the qualities of strength and simplicity, durability in use, the perfection in operation when adjusted for use as a table, and comfort or convenience when adjusted for use as a sofa or settee; and to these main ends and objects my invention may be said to consist, essentially, in the novel construction and combinations of devices, which will be found hereinafter fully explained and which will be most specifically pointed out in the claim of this specification.

To enable those skilled in the art to make and use a combined sofa or settee and billiard or pool table according to my invention, I will now proceed to fully describe the latter, referring by letters to the accompanying drawings, which form part of this specification, and in which I have shown the several features of my invention carried out in the precise forms in which I have so far practiced the latter, but with reference to which, however, mere modifications may of course be made without departing from the spirit of my invention.

In the drawings, Figure 1 is an isometrical perspective view of my improved article of furniture, showing the parts adjusted or relatively set in that position in which the contrivance is adapted to be used as a sofa or settee. Fig. 2 is a top view of the construction or contrivance with the same parts otherwise adjusted, so as to be used as a six-pocket billiard or pool table. Fig. 3 is a detail par-

tially-horizontal section, on a somewhat-enlarged scale, taken at about the plane indicated by the dotted line 3 3 at Fig. 1 and showing one of the arms of the settee turned inwardly or adjusted to the position necessary to permit the tipping over and turning down of the table-bed from that position in which it is seen at Fig. 1 to the horizontal position illustrated at Fig. 2. Fig. 4 is a detail vertical cross-section on an enlarged scale to better show certain parts to be hereinafter described. Fig. 5 is a detail perspective view of certain parts to be hereinafter fully explained. Fig. 6 is a perspective view merely of a wrench bar or pin used for a purpose to be presently explained.

In the several figures of the drawings the same part will be found always designated by the same letter of reference.

A is the settee, and B B the two end settee and arm-supporting portions of an ordinary wooden lounge or settee, said portions B B being formed or provided, as shown, with downward leg extensions *b b*, each of which is provided at its extreme lower end or at its foot with a leveling device *c* of some one of the well-known constructions of such leg supporting and leveling devices heretofore known and used in the construction of billiard-tables and which leveling devices may be turned, if desired, in either direction by means of an ordinary pin-lever *d*, such as seen at Fig. 6, (or by any other desired implement,) which implement for convenience may be kept in a drawer C, which slides beneath the seat proper, A, of the settee, as clearly shown at Fig. 1, the main purpose or object of which drawer, however, is for the reception and safe keeping of the billiard-cues necessary to be used in playing billiards or pool on the bed of the table (for which purpose the seat portion A, with its drawer C, is of course of ample length to accommodate such cues) and also for the retention, if desired, of the billiard or pool balls and other paraphernalia of the games which may be played on the table of the combined article.

Each of the seat-supporting and end por-

tions B B of the settee or sofa is provided with a horizontal arm-piece D, which when the device is adjusted for use as a settee are turned into the positions seen at Fig. 1, said arms being at one edge hinged, as best seen at Fig. 3, to the upper or top surfaces of the said end pieces of the sofa, B B, and when turned into this position (seen at Fig. 1) the said arms, by reason of the peculiar shape of their rear ends, which present, as shown, the shoulder-like parts *i*, (see Figs. 1 and 3,) operate to chock or hold against any possible closing or forwardly-swinging movement of the table-bed E by reason of contact between said shoulders *i* of the arm-pieces and the forward edges or surfaces of the two cross-beams or wooden braces *e e*, permanently secured to the bottom surface of the wooden bed E of the table; but when it may be desired to tip over and downwardly into the horizontal position seen at Fig. 2 the bed E of the table these arms of the settee, D D, have only to be turned inwardly and downwardly into the horizontal positions illustrated at Fig. 3, whereupon the said table-bed may be turned into the horizontal position mentioned, the hinges by which the arms D are attached to the upper edges of the said portions B of the settee having those leaves which are secured to the latter let into the top surfaces of B sufficiently to insure that when the arms D shall be turned into the position seen at Fig. 3 both their surfaces then uppermost, as well as the hinges, will come down into the plane flush with or slightly below the plane of the top surfaces of B, on which surface it will be understood the bed E of the billiard-table becomes seated and firmly rests for support when turned down into the horizontal position for use.

The attachment of the billiard-table bed E to the end portion B of the settee or sofa, so as to permit the frame to be turned easily into either the vertical position shown at Figs. 1 and 3 and 4 or into the horizontal position seen at Fig. 2, is effectuated by means of inwardly-projecting metallic trunnions or pivotal studs *s*, (see Figs. 4 and 5,) which are preferably integral with metallic plates *z*, that are securely fastened to the framework of the table-bed, as plainly indicated, and which are seated in an operative position in the lower ends of the curved slots or recesses *j* of metallic plates I, that are securely fastened by screws, as shown, to the outer surfaces or portions of the end portions B of the settee, which pivotal supports *s* also extend inwardly beyond the thickness of said metallic plates I into grooves *m* in the stock of said end pieces B, that correspond in size and shape to the curved cut-outs *j* of the said plates I, and to permit the entire separation or removal of the billiard-bed E with its attachments from the sofa or settee portion of the combined article and the ready reassemblage of such parts when desired it is

only necessary to first turn the parts into the relative position for use as a billiard-table, as illustrated at Fig. 2, and then bodily lift the bed E, with its attachments, thus extricating the pivotal supporting-studs *s* from the curved sockets or grooves in the lower ends of which the said table-bed, when the parts are assembled, are supported, as already explained, and when thus supported for use on the combined parts for the two different purposes explained the said table-bed, when tipped up and backwardly into the vertical position seen at Figs. 1, 3, and 4, comes to a stop at its lowermost inner portion against the back side of the settee and framework of the settee or sofa, as plainly indicated in the drawings.

I have shown the table-bed E as formed or provided with cushion-rails F, furnished with the usual billiard-cushions *f*, and as having six pockets *g* to adapt the table for use as either a pocket billiard-table or a pool-table; but, as will be observed from the drawings, (see particularly Fig. 1) in the construction of the table-bed I have each of these pockets or ball-receptacles *g* confined within or enveloped by the cabinet-work of the table-bed, as plainly seen at *g*<sup>2</sup>, so that when the two shall be tipped up in the position seen at Fig. 1 (under which adjustment the combined sofa and table are usually located at one side of an arm in close proximity to the wall) the combined article of furniture will present no special appearance indicating that it comprises a pool-table bed provided with pockets.

It will be observed that in my construction of combined settee or sofa and billiard or pool table there are comprised simply the sofa or settee structure, comprising a seat and two end pieces and a billiard or pool table bed with its necessary cushion and pocket attachments, which parts are simply assembled in a condition to permit their relative adjustment in the manner and for the purposes explained by means of the pivotal trunnions or studs *s*, combined, as specified, with the solid end pieces of the settee, and so that by a simple oscillatory movement on a fixed axis of motion of the table-bed and its attachment a translation of the bed from the position in which it constitutes the back of the settee or sofa into which it is to be used for the purposes of game-playing is readily effected and that when in adjustment to the position indicated at Fig. 2 the entire weight of the bed is firmly supported upon the tops of the end portions B B of the settee, and hence that there is no complication of levers or other devices liable to get out of order and difficult to employ with that degree of solidity and durability which is necessary to a successfully-operative combined sofa or settee and billiard or pool table, and it will be also seen that at the same time while the combined parts produce an article for use for the two purposes mentioned that is exceedingly simple of construction and du-

5 rable in practice the article is one of artistic appearance and devoid of the presence or exposure of any operative mechanical parts the presence of which would render less artistic and desirable in design and appearance such combined article of furniture.

10 Having now so fully described my invention that those skilled in the art can practice it in either the precise form in which I have shown and described it or under some mere modification thereof, what I claim as new, and desire to secure by Letters Patent, is—

15 In combination with the settee and table-bed-supporting portions; and the table-bed pivotally connected to said end portions, as

specified; two settee-arm pieces which are hinged to the upper or top portions of the ends of the sofa, and which are formed with stop-shoulders, substantially as specified, and whereby when turned into their operative positions as sofa-arms, they operate as chocks or stops, to prevent any tipping forwardly of the vertically-adjusted table-bed; all substantially as hereinbefore set forth.

In witness whereof I have hereunto set my hand this 18th day of April, 1904.

JOHN EHRENPREIS.

In presence of—

C. R. ROGERS,  
CHAS. BAMERLE.