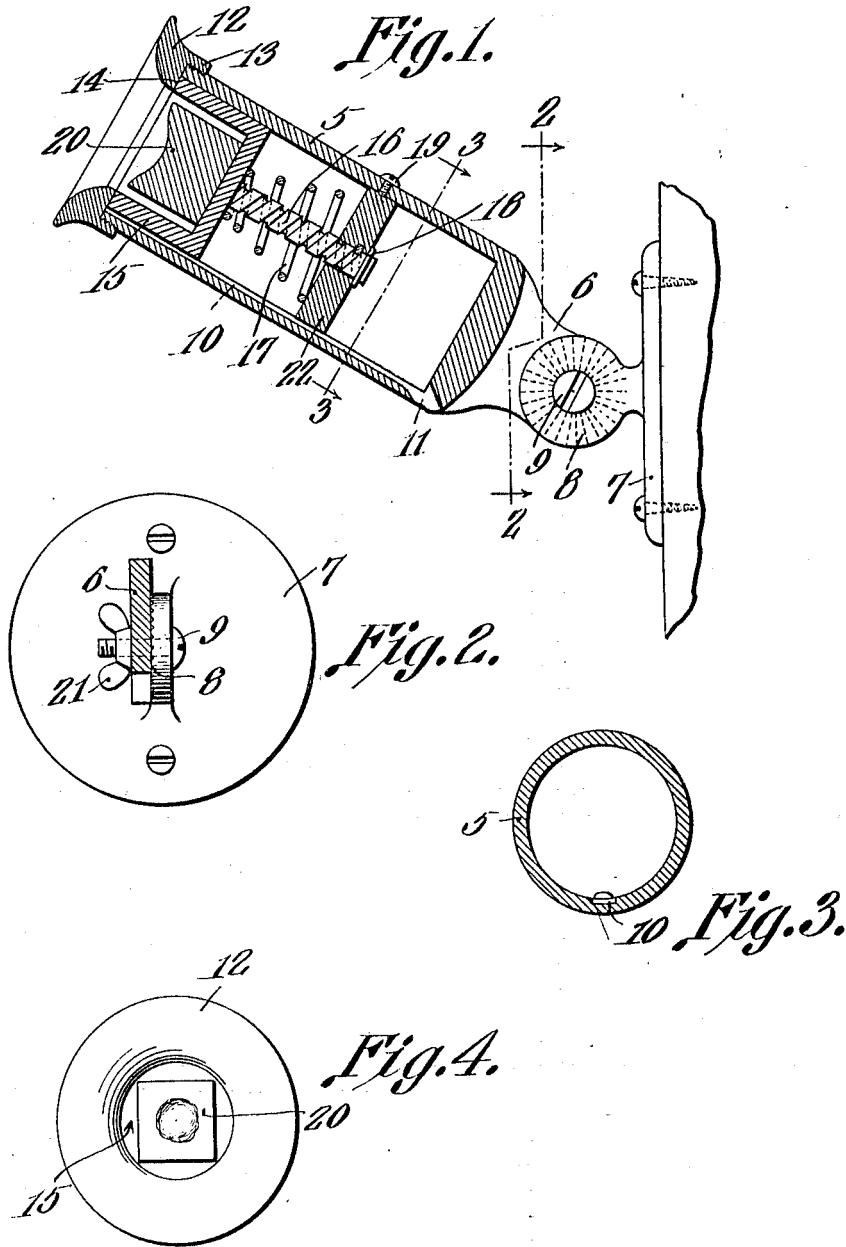


A. E. NEWMAN.  
 CUE CHALKER.  
 APPLICATION FILED MAR. 2, 1912.

1,041,148.

Patented Oct. 15, 1912.



Witnesses

*J. P. Emelin*  
*L. N. Wilcox*

*A. E. Newman,*  
 Inventor

by *C. A. Snow & Co.*  
 Attorneys

# UNITED STATES PATENT OFFICE.

ALVIN E. NEWMAN, OF CHICAGO, ILLINOIS.

CUE-CHALKER.

1,041,148.

Specification of Letters Patent.

Patented Oct. 15, 1912.

Application filed March 2, 1912. Serial No. 681,118.

*To all whom it may concern:*

Be it known that I, ALVIN E. NEWMAN, a citizen of the United States, residing at Chicago, in the county of Cook and State of Illinois, have invented a new and useful Cue-Chalker, of which the following is a specification.

This invention relates to cue chalkers, and has for its object to provide a simple and inexpensive device for holding a piece of cue chalk against which the tip of a cue may be pressed and in which event the chalk will be rotated in order to effectively and conveniently chalk the end of the cue.

Another object of the present invention is to provide a device of this character which may be attached to a billiard or pool table or to a wall or other support, and which may be adjusted to various positions to provide for the convenient use thereof.

A further object of the present invention is to provide a device of this character into which the chalk may readily be inserted, and which is provided with means for permitting the chalk dust to escape therefrom.

With the foregoing and other objects in view, this invention resides in the novel construction and combination of parts elicited in the following description and pointed out in the appended claims, reference being had to the accompanying drawings, wherein similar reference characters indicate corresponding parts, and wherein—

Figure 1 is a longitudinal central section of the device. Figs. 2 and 3 are sectional views taken on the lines 2—2 and 3—3 of Fig. 1, respectively. Fig. 4 is an end elevation of the device looking toward the forward end thereof.

Referring in detail to the drawings, the numeral 5 designates a tubular guide which has the rear end thereof closed, and which has a longitudinal inner groove 10 along the lower side thereof extending from the forward end to the rear end with an outlet orifice 11 at the rear end of the said groove.

An ear 6 projects from the rear end of the guide 5 and coincides with the ear 8 of a plate 7, which plate is adapted to be secured to a pool or billiard table, and a bolt 9 passes through the ears 6 and 8 and bears a wing nut 21 for clamping the said ears together, the adjacent faces of the said ears being provided with radial interengaging grooves to retain the guide 5 to any adjusted position to which it is set.

A chalk holder or socket 15 is slidable and rotatable in the forward end of the guide 5 and has a rearwardly extending screw 16, the threads thereof being of a comparative large pitch. A nut or member 22 is mounted in the guide intermediate the ends thereof and the screw 16 is engaged therethrough, a washer 18 being mounted on the rear end of the screw 16 and the rear end of the screw being riveted over the washer. This nut or member 22 is retained in position by means of one or more screws 19 passed through the guide 5 and engaged in the said nut or member. A spiral coiled spring 17 is compressibly disposed between the chalk holder 15 and the member 22 to yieldingly force the chalk holder forward. An annular mouth piece 12 is mounted on the forward end of the guide 5 and has an annular flange 13 screw threaded onto the said guide, this mouth piece having the inner side thereof counter sunk to facilitate the entrance of the tip of the cue into the guide and also has a shoulder 14 extending inwardly against which the chalk holder or socket 15 is adapted to seat when pressed forwardly by the spring 17.

In use, the device is secured to the pool or billiard table or to any other support by means of the plate 7, which may be positioned at various angles to permit the guide 5 to swing in a vertical, horizontal or any other plane as may be desired or essential. The guide 5 is then swung upon the bolt 9 to properly position the guide for the convenient insertion of the tip of the cue and the wing nut 21 is then tightened to clamp the guide in position. A piece of chalk 20 is inserted into the chalk holder 15 and when the tip of the cue is inserted into the guide 5 to strike or contact with the chalk 20, the chalk will be forced rearwardly and in so doing will be rotated by virtue of the screw 16 traveling through the member 20. In this manner the chalk will be rotated to effectively chalk the tip of the cue, and when the cue is withdrawn, the spring 17 will force the chalk holder forward to normal position against the shoulder 14. It is understood that various forms of chalk may be utilized, the same being shown as square in contour. The chalk dust which is formed by the chalking action will drop into the groove 10 and will be directed rearwardly by the said groove under the chalk holder to the rear end of the guide 5 and will then pass

through the outlet orifice 11, and in this manner the chalk dust is prevented from accumulating or collecting in the device in order to free the device of dust and prevent wear of the various parts which would accrue if the dust were not permitted to escape therefrom.

In the manner described, this device enables the players to conveniently insert the tips of their cues into the device for effectively chalking the tips and without liability of getting chalk on their clothing and without handling the chalk in any manner. This device is simple and inexpensive in construction, and is applicable to various pool and billiard tables or to other supports for the convenient use of the device. The chalk may be also readily inserted into the chalk holder, and as a whole this device provides for a desirable accessory for pool or billiard tables. It is understood that this device is susceptible of slight alterations or deviations in its details within the scope of the appended claims without departing from the spirit of the invention.

Having described the invention, what is claimed as new is:—

1. A cue chalker embodying a tubular guide having a longitudinal inner groove

in its lower side to convey chalk dust rearward, a chalk holder slidably and rotatably in the forward end of the guide, means for yieldingly forcing the chalk holder forward, and means for rotating the chalk holder when forced rearward.

2. A cue chalker embodying a tubular guide having its rear end closed, and having a longitudinal inner groove extending from the forward end to the rear end to convey the chalk dust rearward with an outlet orifice at the rear end of the groove, a chalk holder slidably and rotatably in the forward end of the guide and having a rearwardly extending screw, a member mounted in the guide and through which the screw is engaged, a spiral spring compressibly disposed between the chalk holder and the said member, and an annular mouth piece engaged on the forward end of the guide and against which the chalk holder is adapted to seat.

In testimony that I claim the foregoing as my own, I have hereto affixed my signature in the presence of two witnesses.

ALVIN E. NEWMAN.

Witnesses:

GEO. R. NEWMAN,  
L. M. NEWMAN.