

Nov. 7, 1933.

J. O. MATTESON

1,933,917

OUTDOOR BILLIARD TABLE

Filed Sept. 4, 1930

2 Sheets-Sheet 1

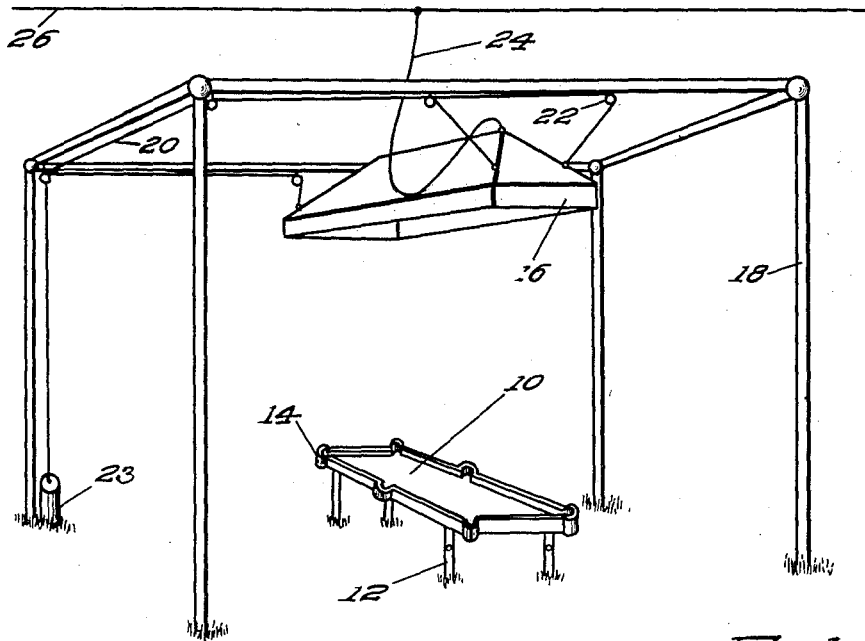
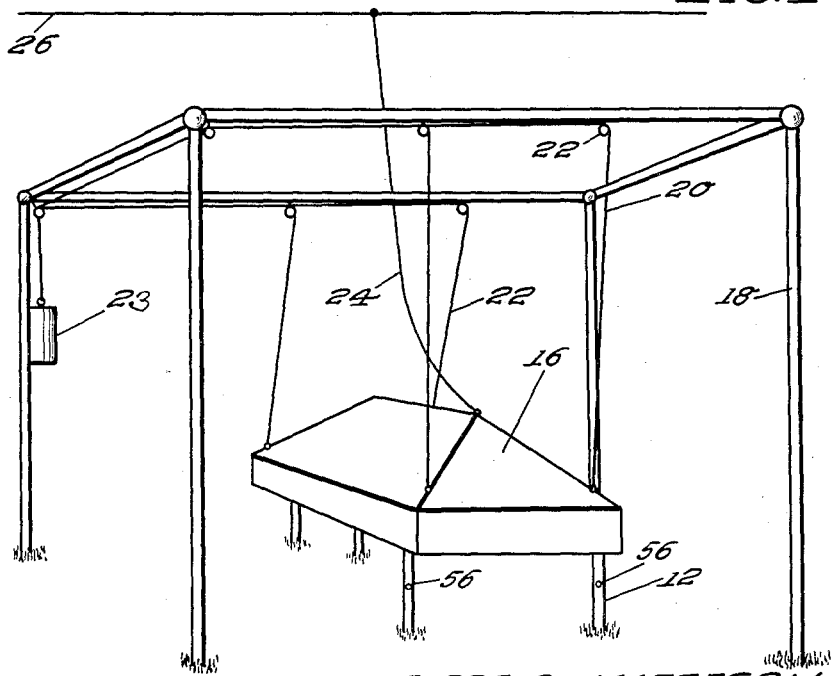


FIG. 1



JESSE O. MATTESON
INVENTOR

PER

Albert J. Fike
ATTORNEY

FIG. 2

Nov. 7, 1933.

J. O. MATTESON

1,933,917

OUTDOOR BILLIARD TABLE

Filed Sept. 4, 1930

2 Sheets-Sheet 2

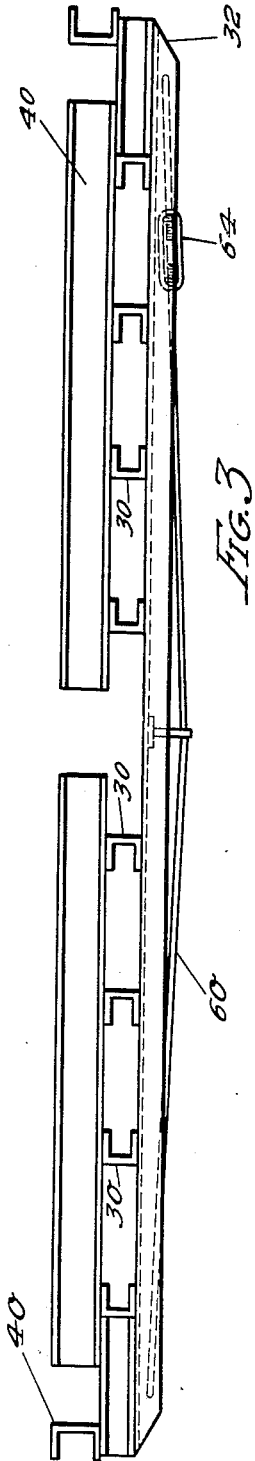


FIG. 3

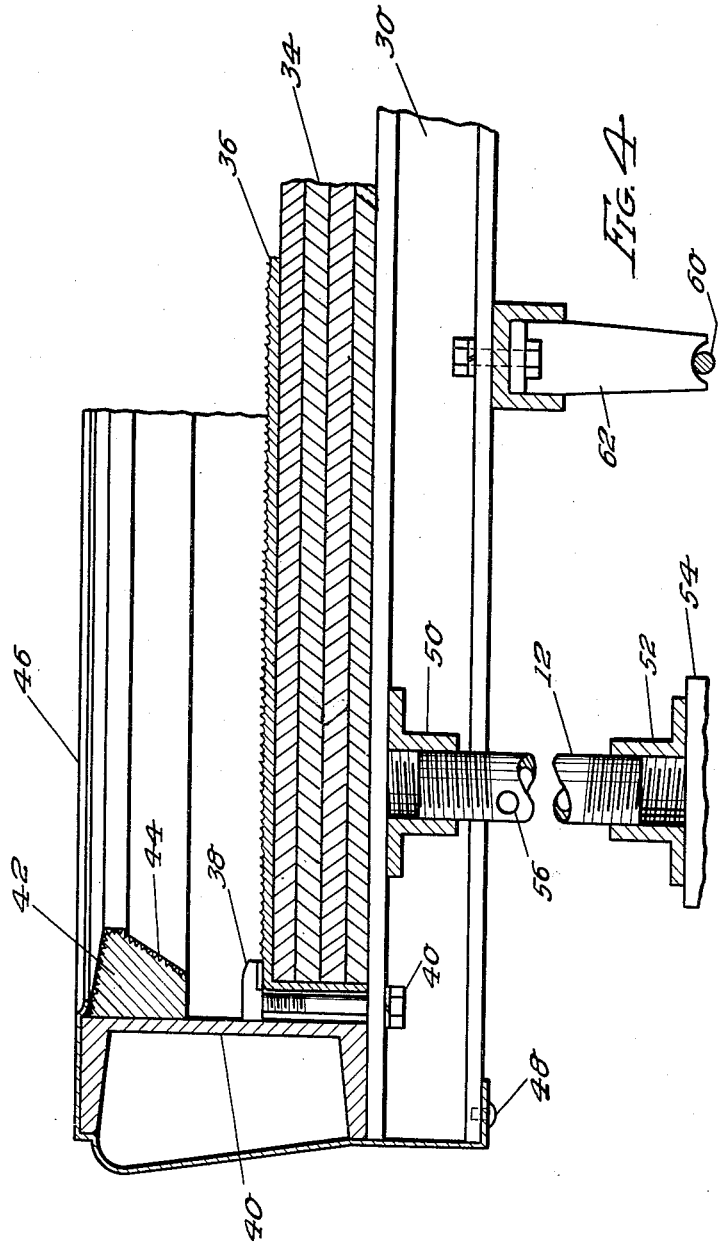


FIG. 4

JESSE O. MATTESON
INVENTOR

PER

Albert F. Pike
ATTORNEY

UNITED STATES PATENT OFFICE

1,933,917

OUTDOOR BILLIARD TABLE

Jesse O. Matteson, Muskegon, Mich., assignor to
The Brunswick - Balke - Collender Company,
Chicago, Ill., a corporation of Delaware

Application September 4, 1930. Serial No. 479,625

1 Claim. (Cl. 273—3)

This invention relates to improvements in outdoor billiard tables and has for one of its principal objects, the provision of a billiard table of substantially the ordinary type, with however, elements incorporated therein whereby the same may be used outdoors without interfering in any way with the playing qualities.

One of the important objects of this invention is to provide a billiard table or the like for outdoor play which is proof against weather, will not be damaged by water or outdoor atmospheric conditions, and which will at the same time provide a very satisfactory game.

Another and still further important object of the invention is the provision, in an outdoor billiard table or pocket-billiard table, of means incorporated into the playing surface thereof whereby undesirable displacement of the balls due to wind currents is avoided but without rendering the playing surface undesirable from the standpoint of the player, and providing the same fast game which can be obtained upon the ordinary modern type of indoor table.

Other and further important objects of the invention will be apparent from the disclosures in the accompanying drawings and following specifications:

The invention, in a preferred form, is illustrated in the drawings and is hereinafter more fully described:

In the drawings:

Fig. 1 is a perspective view of the improved outdoor billiard table of this invention, showing the same in playing position.

Fig. 2 is a similar view illustrating the table as covered so as to render the same secure against weather and atmospheric conditions.

Fig. 3 is a longitudinal sectional view showing the table bed construction and associated parts.

Fig. 4 is a detail view, partly in section and parts being broken away, taken at one side of the central portion of the table.

As shown in the drawings:

The reference numeral 10 indicates generally the improved outdoor billiard table of this invention, the same being provided with supporting legs 12 and with pockets 14 in the event that the game to be played thereon is that designated as "pocket-billiards."

A movable canopy 16 is provided with the table, the same being larger than the table, and adapted to fit thereover when in its lowermost position as illustrated in Fig. 2, whereby the table is adequately protected against rain, snow, dust or the like when not in use.

The canopy is mounted in a frame-work as illustrated at 18 and is supported by a plurality of ropes or the like 20 passing over pulley-wheels 22 and fastened to a counterweight 23 whereby raising or lowering of the canopy is facilitated.

A current carrying wire 24 is led in from a source of current 26 and is for the purpose of lighting electric globes which are positioned inside the canopy and whereby the playing surface of the table and its surroundings may be illuminated at night.

The table itself comprises essentially a bed-plate formed of a plurality of channel irons or the like 30 positioned upon a suitable support 32, and mounted upon the channel irons is a bed or playing surface composed of a plurality of laminations of some material which will be proof against warping due to water or damp atmospheric conditions, and it has been found that the product known as "exploded wood" is quite suitable. This product is now on the market in commercial quantities and comprises wood chips or sawdust, the fibres of which have been exploded under a steam pressure of approximately one thousand pounds per square inch after which the wet mass is poured into a board-press and dried under a relatively high temperature. This forms what is known as a "grainless wood" and is remarkably resistant to water or damp conditions. This product can also be impregnated with waterproofing materials, if desired or necessary.

Several laminations of this "grainless wood" are used to form the bed of the table as best illustrated at 34 and the playing surface is preferably composed of a sheet of rubberized fabric 36 which is provided with a roughened upper surface as best shown in Fig. 4 and which is sufficiently indented to prevent the balls being blown about thereon by wind, while at the same time allowing of a proper directional effect and suitable speed being imparted to the balls by the usual cue action. This rubberized fabric may be applied to the laminated bed by cement or other fastenings, and the assembled board or playing bed is then clamped into position on the channel irons by means of suitable side clamps 38 provided with fastening nuts or the like 40. A space is provided between the edges of the playing bed and the surrounding sides of the table so that any water which might fall onto the bed is freely drained therefrom. The sides are preferably composed of channel irons or the like 40.

Attached by waterproof cement or in some

other manner to the upper, inner faces of the channel irons 40 is an ordinary rubber cushion or the like 42 shaped into usual form and covered with a suitable fabric 44, which fabric is preferably incorporated into the material of the cushion itself at the time of vulcanization.

The joint between the cushion 44 and the face of the channel iron 40 is covered with an overhanging edge of a metal guard or the like 46 which is positioned over the channel irons 40 and 30, and is shaped somewhat as shown in Fig. 4 being fastened in position by means of machine screws or the like 48. The shape and material of this guard may obviously be varied as desired.

The legs 12 of the table are composed of sections of iron pipe or the like, and have their ends fitted with right- and left-hand threads, the ends being mounted in correspondingly screw-threaded sockets 50 and 52, the socket 50 being suitably attached to the underface of the table, and socket 52 being mounted on a block of concrete or other suitable material 54 imbedded in the earth. Alined openings 56 are formed through the sides of the legs 12 for the insertion of a rod or the like whereby the leg may be rotated, thereby adjusting the level of the table.

In order that the center of the table may be supported against undesirable sagging, a pair of supporting or brace rods 60 are provided, the ends of which are suitably attached to the ends of the table, one at each side thereof, and each of these brace rods contacts at the center of the table with a downward extension 62 fastened to the bed of the table at this point, and a turn-buckle 64 is provided on the rod whereby the same may be tightened to suitably support, and if necessary, raise the center of the table bed.

In the event that the game to be played is that known as "pocket-billiards," the pockets 14 are built into the table and can be composed of any suitable material, preferably vulcanized rubber which will be proof against any and all weather conditions, and also against rough usage, while at the same time affording a satisfactory structure.

It will be evident that herein is provided an outdoor billiard or pocket-billiard table which will adequately meet the necessary requirements for such a table, while at the same time eliminating any of the disadvantages which have heretofore precluded the general adoption of such a structure, and which will render this game more desirable in that the participants or players will derive the advantage of exercise in the open air instead of in a confined and close space as has previously been considered unavoidable in connection with games of this sort.

I am aware that many changes may be made, and numerous details of construction varied throughout a wide range without departing from the principles of this invention, and I therefore do not purpose limiting the patent granted hereon otherwise than as necessitated by the prior art.

I claim as my invention:

An outdoor billiard table including a waterproof playing surface and side cushions, said surface comprising a base of laminated grainless wood, and a sheet of slightly roughened rubberized fabric mounted on the base to provide a surface resistant to motion of balls thereover due to wind pressure.

JESSE O. MATTESON.

40	115
45	120
50	125
55	130
60	135
65	140
70	145
75	150