

April 26, 1938.

J. O. MATTESON ET AL
BILLIARD TABLE CONSTRUCTION

2,115,115

Filed Sept. 28, 1935

2 Sheets-Sheet 1

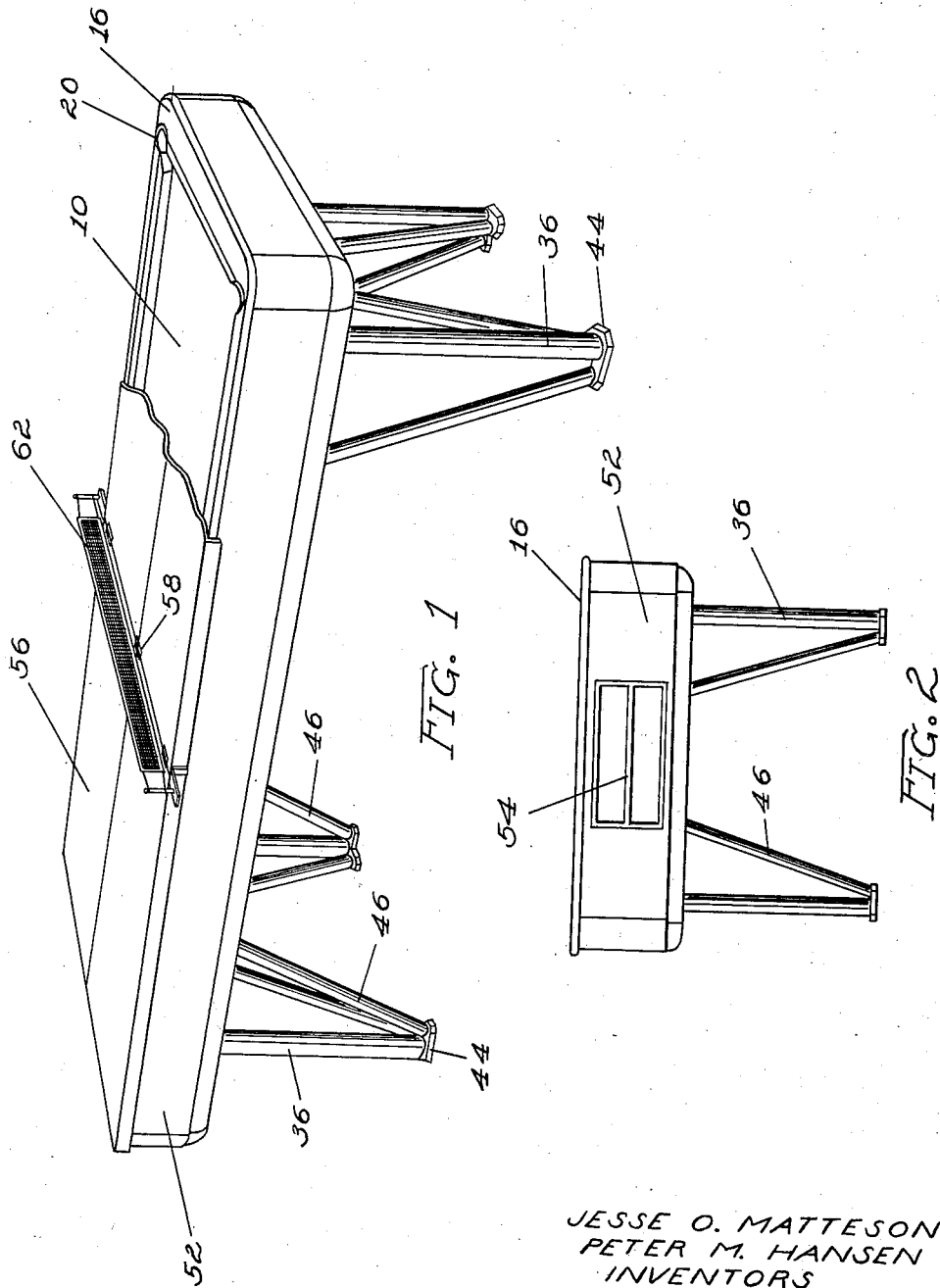


FIG. 1

FIG. 2

JESSE O. MATTESON
PETER M. HANSEN
INVENTORS

Albert J. Fihe

ATTORNEY

April 26, 1938.

J. O. MATTESON ET AL
BILLIARD TABLE CONSTRUCTION

2,115,115

Filed Sept. 28, 1935

2 Sheets-Sheet 2

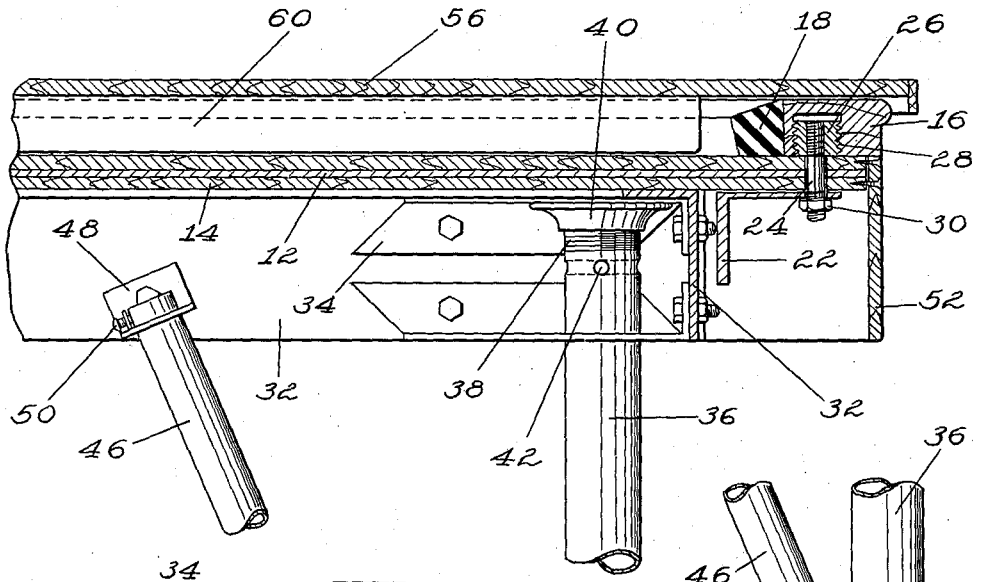


FIG. 3

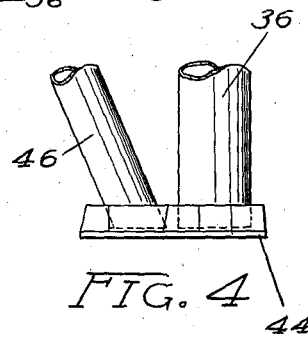


FIG. 4

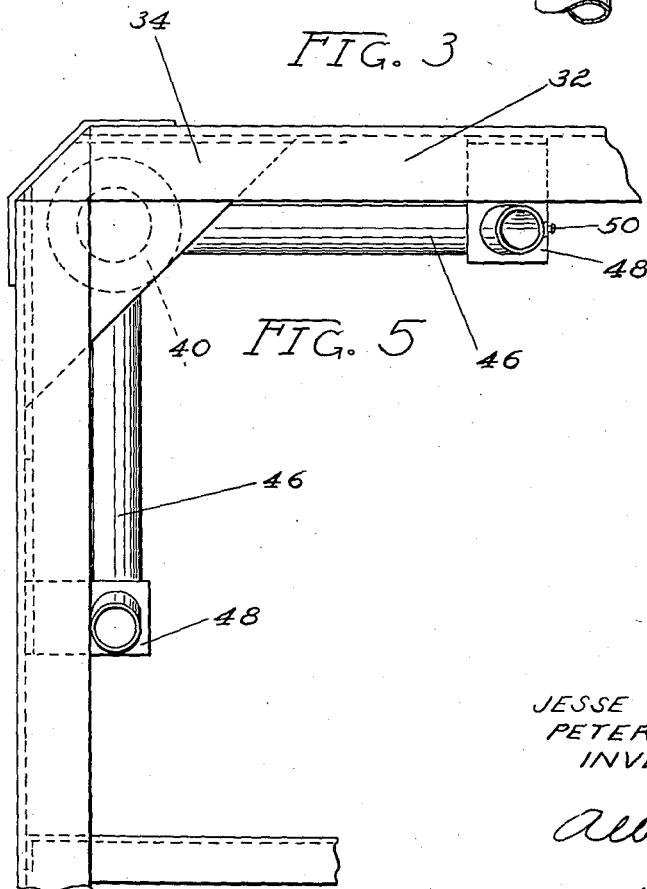


FIG. 5

JESSE O. MATTESON
PETER M. HANSEN
INVENTORS

Albert E. Fife

ATTORNEY

UNITED STATES PATENT OFFICE

2,115,115

BILLIARD TABLE CONSTRUCTION

Jesse O. Matteson and Peter M. Hansen, Muskegon, Mich., assignors to The Brunswick-Balke-Collender Company, Chicago, Ill., a corporation of Delaware

Application September 28, 1935, Serial No. 42,614

1 Claim. (Cl. 273—5)

This invention relates to an improved billiard table construction and has for one of its principal objects the provision of a table which will eliminate the use of a slate bed and which furthermore shall be simple and more economical of construction.

One of the important objects of the invention is to provide a billiard table which can be built in standard parts, which parts can be assembled upon delivery without the necessity of skilled or technical workmen and which parts when assembled will immediately provide a playable billiard table.

Another object of the invention is the provision, in connection with a billiard table, of a removable top whereby the same can be adapted for other games, such as table tennis, or whereby the same can be used for further purposes, as, for example, a dining-room table.

A still further object of the invention is the provision of a new type of supporting legs for billiard tables whereby adjustment of the level or height of the table can be readily accomplished and whereby a very solid and practically immovable foundation results.

Other and further important objects of the invention will be apparent from the disclosures in the accompanying drawings and following specification.

The invention, in a preferred form, is illustrated in the drawings and hereinafter more fully described.

In the drawings—

Figure 1 is a perspective view of the improved billiard table of this invention, parts being broken away to show the removable top.

Figure 2 is an end view of the table, showing an improved feature.

Figure 3 is a sectional view of one end of the table showing the interior details of construction and also illustrating the leg mounting.

Figure 4 is a bottom view of the legs shown in Figure 3.

Figure 5 is a top plan view of a representative corner of the table showing, particularly, the leg and frame construction.

As shown in the drawings:

The reference numeral 10 indicates generally the improved bed or playing surface of the billiard table of this invention, the same comprising laminations of metal 12 and wood or similar material 14, instead of the usual slate. The usual cloth covering is applied to the bed and the same is provided with the usual side rails 16 and

cushions 18. Pockets 20 are provided as in the ordinary construction.

Fastened to the under-face of the bed is a series of angle irons 22 having openings therein through which bolts 24 pass, these bolts being screw-threaded at each end, the upper end fitted into a corresponding screw-threaded metal plug 26 which has coarse screw-threads 28 on the outside thereof and which is in turn so screw-threadedly mounted in the rail 16. The bolt 24 has a nut 30 thereon which when turned up tightly fastens the bed, the angle iron 22 and the rail 16 together into a unitary construction.

A frame, rectangular in shape, corresponding to the size of the table, is provided, this being also composed of angle irons 32 having corner plates 34 for bracing purposes, and in each of the four corners is mounted a vertical leg 36, preferably composed of tubular metal, with its upper end screw-threaded as at 38 and so mounted into a support 40. Openings 42 are provided in the upper end of the leg or post 36 for the insertion of a rod or the like whereby the same may be turned to adjust the effective height. The lower end of the tubular leg or post 36 is rotatably mounted into a supporting plate or base 44 (Figure 4).

Also mounted in each of the base plates 44 is a pair of angular bracing legs 46 which cooperate with the upright leg 36, bracing the same against rocking or shaking movement in either direction, and the upper ends of these sloping or angular legs are positioned in brackets 48 fastened to the angle iron 32, and set screws 50 are provided in the brackets whereby the legs 46 may be fastened against movement with respect to these brackets.

A depending skirt 52 is fastened to the outer edges of the bed 10 mainly for ornamental purposes and to conceal the metal structure and the same may be of any design and may be of any suitable or desired material, either with or without additional ornamentation.

A set of shelves or receiving pockets 54 can be provided in either or both ends, as best shown in Figure 2, for the reception of balls, chalk and the like.

The table itself is provided with a removable cover 56 which can be made in two or more portions hinged together, as at 58 in Figure 1, and this cover is provided with supports 60, underneath the same, which rest on the table bed (Figure 3) thereby protecting the rails 16 and pockets 20. The supports 60 are of a height greater than the balls used, so that the balls

may be left on the table if desired. This cover may be used for other games, as, for example, table tennis wherein a net 62 is used, or, as here-

5 before stated, the cover may be adapted for other purposes, as, for example, the table itself

may be converted into a dining table or the like. It will be evident that herein is provided a simplified form of billiard table which can be manufactured complete at the factory, shipped to
10 any desired point and then set up by any person without the necessity of an experienced or technical workman, which has heretofore been considered necessary in connection with the assembly of tables having slate beds. A more economic structure is also provided while at the
15 same time a very satisfactory playing surface results and one which is not liable to warping, or to deformation, owing to play, weather, or other conditions. At the same time a sufficiently solid
20 and stable construction results, thereby producing a very satisfactory playing apparatus for the required purposes.

We are aware that many changes may be made and numerous details of construction varied
25 throughout a wide range without departing from the principles of this invention, and we therefore do not purpose limiting the patent granted

thereon otherwise than as necessitated by the prior art.

We claim as our invention:—

A billiard table, including a supporting frame, tubular legs rotatably mounted in the corners of the frame, for leveling purposes; a flat base at the lower end of each leg, in which the leg is rotatable; a pair of angularly extending tubular braces for each leg, one of said braces rotatably mounted on the side of the frame and one on
5 the end of the frame; means for adjustably fixing said brace elements in position; a composition top removably mounted on the frame, said composition top comprising a bed, side rails and cushions; bolts fastening through the bed into
10 the side rails for retaining the parts in assembled position; and angle-irons extending transversely of each end and along each side of the bed on the under-face thereof, said angle-irons
15 positioned on the bed in such spaced relationship as to form a close fitting receptacle for the frame; the bolts which hold the rails on the bed also serving to position said angle-irons;
20 and a depending skirt around the edge of the bed, associated with the rails and adapted to conceal the frame portion.

JESSE O. MATTESON.
PETER M. HANSEN.