

Feb. 11, 1936.

W. LESCAZE
POCKET BILLIARD TABLE
Filed Aug. 1, 1935

Des. 98,533

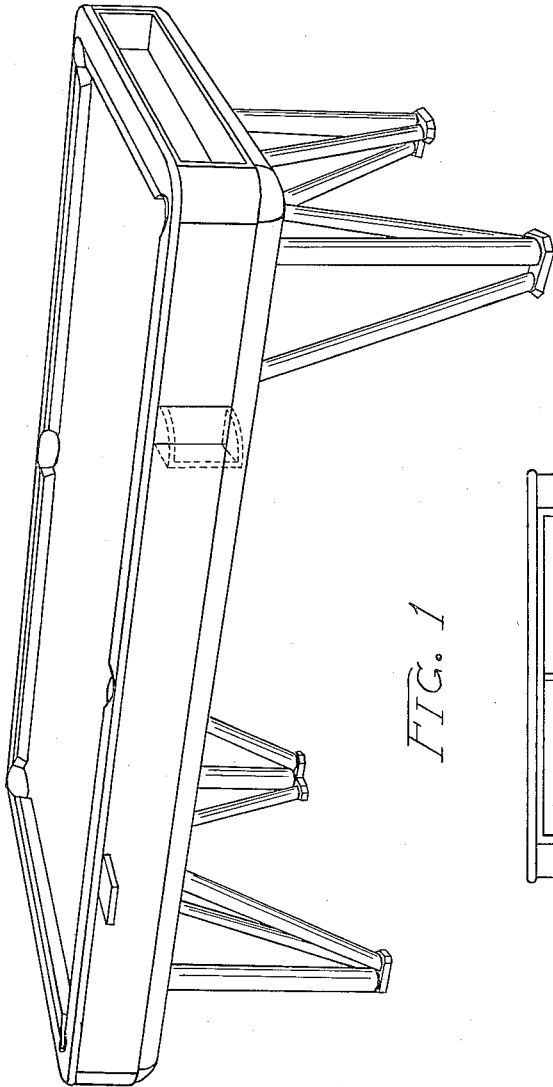


FIG. 1

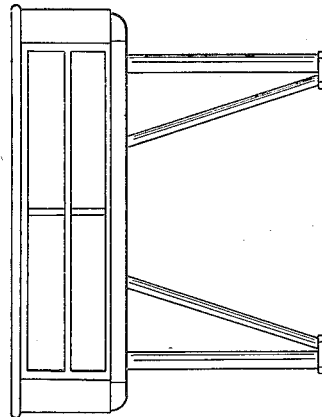


FIG. 2

William Lescaze
Inventor
per Albert J. Fihe
attorney

UNITED STATES PATENT OFFICE

98,533

DESIGN FOR A POCKET BILLIARD TABLE

William Lescaze, New York, N. Y., assignor to The
Brunswick-Balke-Collender Company, Chicago,
Ill., a corporation of Delaware

Application August 1, 1935, Serial No. 57,898

Term of patent 14 years

To all whom it may concern:

Be it known that I, William Lescaze, a citizen of the United States, residing at New York city, in the county of New York and State of New York, have invented a new, original, and ornamental Design for Pocket Billiard Tables, of which the following is a specification, reference being had to the accompanying drawing, forming a part thereof.

In the drawing—

Figure 1 is a perspective view, and Figure 2 is a rear elevation, of a pocket billiard table showing my new design.

The dotted lines in Figure 1 indicate a recessed receptacle.

I claim:

The ornamental design for a pocket billiard table as shown and described.

WILLIAM LESCAZE.