

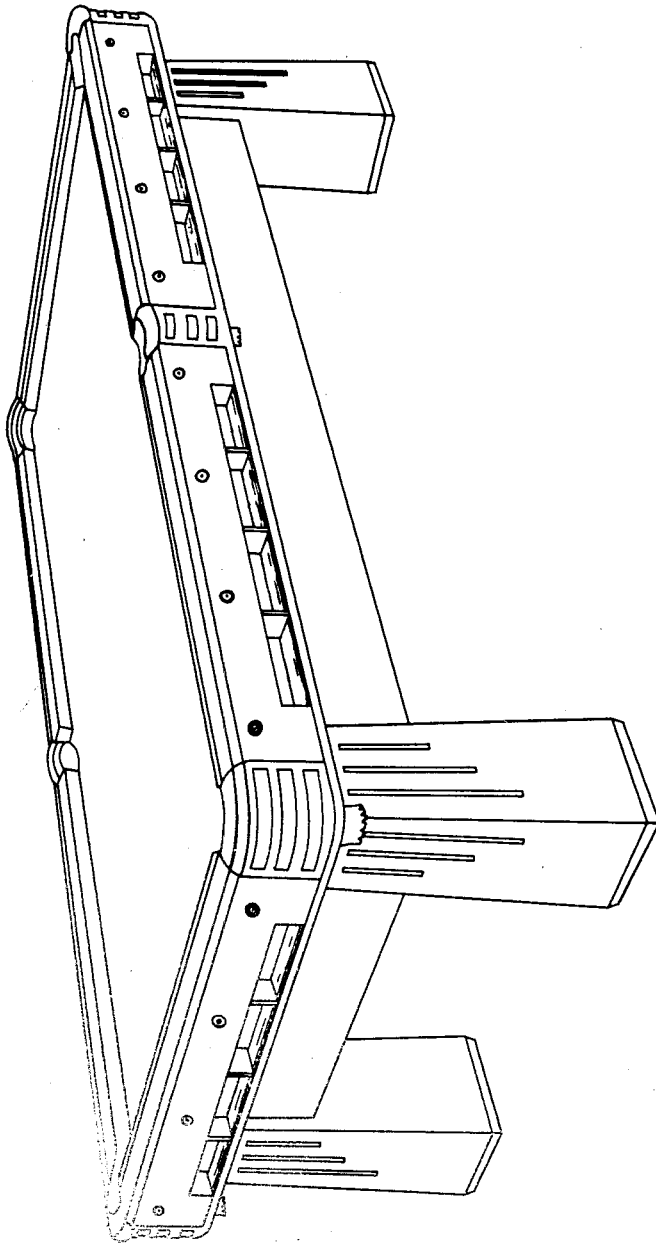
March 28, 1939.

W. C. LAWSON

Des. 113,972

BILLIARD TABLE

Filed Nov. 21, 1938



WILLIAM C. LAWSON
INVENTOR

PER

Albert J. Fike

ATTORNEY

UNITED STATES PATENT OFFICE

113,972

DESIGN FOR A BILLIARD TABLE

William C. Lawson, Evanston, Ill., assignor to
The Brunswick-Balke-Collender Company, Chi-
cago, Ill., a corporation of Delaware

Application November 21, 1938, Serial No. 81,273

Term of patent 7 years

To all whom it may concern:

Be it known that I, William C. Lawson, a citizen of the United States, residing in the city of Evanston, in the county of Cook, State of Illinois, have invented a new, original, and ornamental Design for a Billiard Table, of which the following is a specification, reference being had to the

accompanying drawing forming a part thereof.

The drawing is a perspective view of a billiard table showing my new design.

I claim—

The ornamental design for a billiard table, as shown.

WILLIAM C. LAWSON.