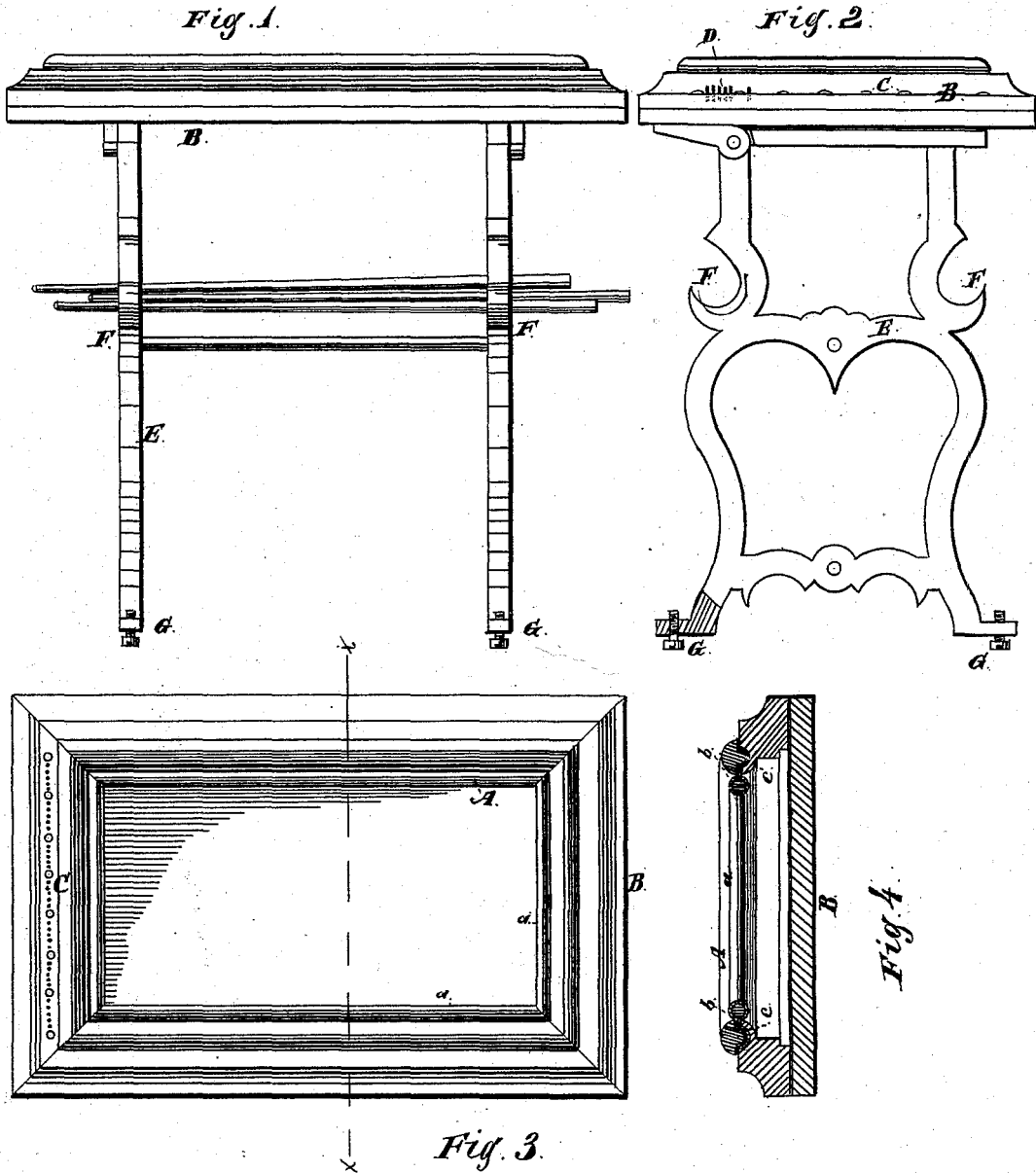


C. G. AKAM.  
Parlor-Billiard Table.

No. 211,205.

Patented Jan. 7, 1879.



Witnesses:

Frd. C. Hale  
L. A. Minges

Inventor:

Charles G. Akam

# UNITED STATES PATENT OFFICE.

CHARLES G. AKAM, OF CHICAGO, ILLINOIS.

## IMPROVEMENT IN PARLOR BILLIARD-TABLES.

Specification forming part of Letters Patent No. 211,205, dated January 7, 1879; application filed September 23, 1878.

*To all whom it may concern:*

Be it known that I, CHARLES G. AKAM, of Chicago, county of Cook, State of Illinois, have invented new and useful Improvements in Parlor Billiard-Tables, which improvements are fully set forth in the following specification, reference being made to the accompanying drawings.

The object of my improvements is to cheapen the manufacture and price of parlor billiard-tables, so as to be within the reach of every person or family desiring to use them; and the improvements relate to a device for securing or fastening the cushion to the frame or rail surrounding the table at a proper height and distance over the bed of the table, so as to properly receive and throw off the balls when playing the game.

Figure 1 of drawings shows a side elevation of a billiard-table with my improvements attached. Fig. 2 shows an end elevation with my improved counting device attached to the end rail of table, and the supporting-frame of the table with cue-rack attached. Fig. 3 shows top view of Fig. 1, showing the cushion attached to the table. Fig. 4 is a section of Fig. 3 on the line *x x*, showing the manner of attaching cushion to the frame of the table.

Like letters of reference indicate like parts in the several figures of drawings.

A represents the cushion. The cushion is formed by folding a flat piece of elastic rubber fabric, *a*, over a round rubber cord, or a cord of any yielding substance, and securing it to the rail or frame B, surrounding the bed of the table, by placing the projecting ends of the flat rubber in a groove, *c*, formed in the upper part of the rail of the frame B, and securing it thereto with nails or glue, or any other manner of fastening, in such a manner

as to project over the bed of the table at the proper height and distance to receive and throw off the balls in playing.

G shows counting device, which consists of a series of holes made in the frame B, adapted to receive pins D, which are colored to correspond with the balls used in playing, the holes being divided into spaces of fives or tens, to facilitate in counting, the division to be made by any device or marks indicating it. E shows the supporting-frame of the table, with brackets F F for storing the cues when not in use. The supporting-frame may be made in any convenient manner, and should be provided with screws G in the feet of the frame for leveling the table. The table should be fastened to supporting-frame by hinges, and left free to turn up in a perpendicular position, to facilitate in moving the table through narrow doorways, and to place the table close against the wall or side of the room when not in use.

Having thus described my invention, what I claim, and desire to secure by Letters Patent, is—

A billiard-table provided with a cushion consisting of a cord of yielding material enveloped by a flat piece of rubber having projecting ends, in combination with the rail or frame B, having a groove, *c*, into which such projecting ends are so inserted and so secured, by means substantially as described, that the cushion shall project over the bed of the table at a proper height and distance to receive and throw off the balls, substantially as and for the purpose set forth.

CHARLES G. AKAM.

Witnesses:

FRED. C. HALE,

L. F. MINZESHEIMER.