

E. BRUNSWICK.
BILLIARD TABLE.

No. 324,004.

Patented Aug. 11, 1885.

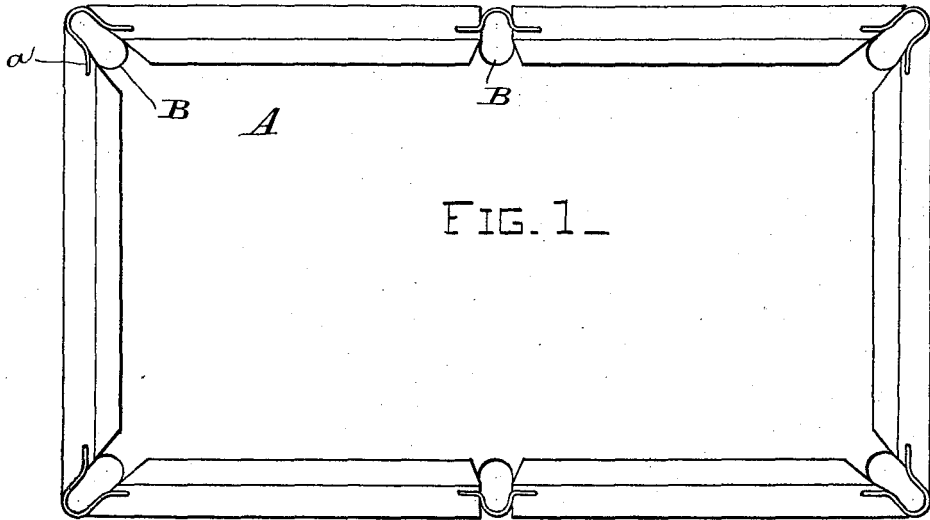


FIG. 1.

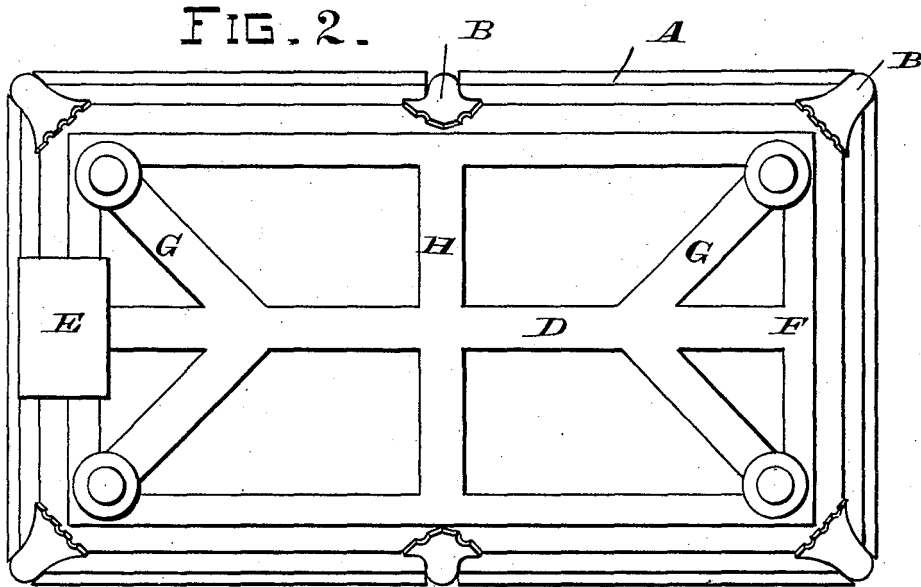


FIG. 2.

WITNESSES

Wilbur Bradford
W. B. Woodworth

INVENTOR

Emanuel Brunswick
 By *L. W. M. Smith*
 Attorney

E. BRUNSWICK.
BILLIARD TABLE.

No. 324,004.

Patented Aug. 11, 1885.

FIG. 3 -

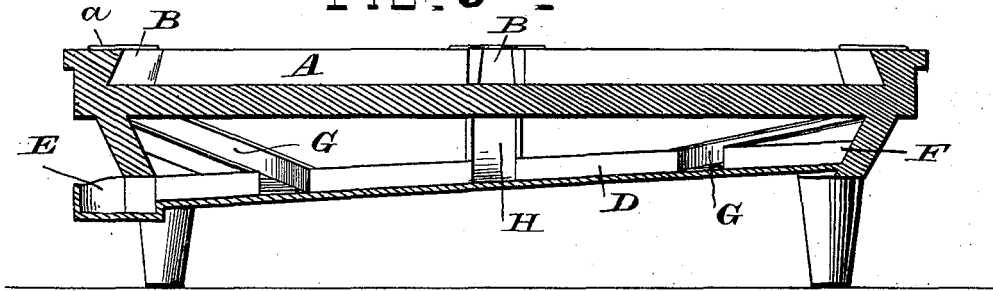


FIG. 4.

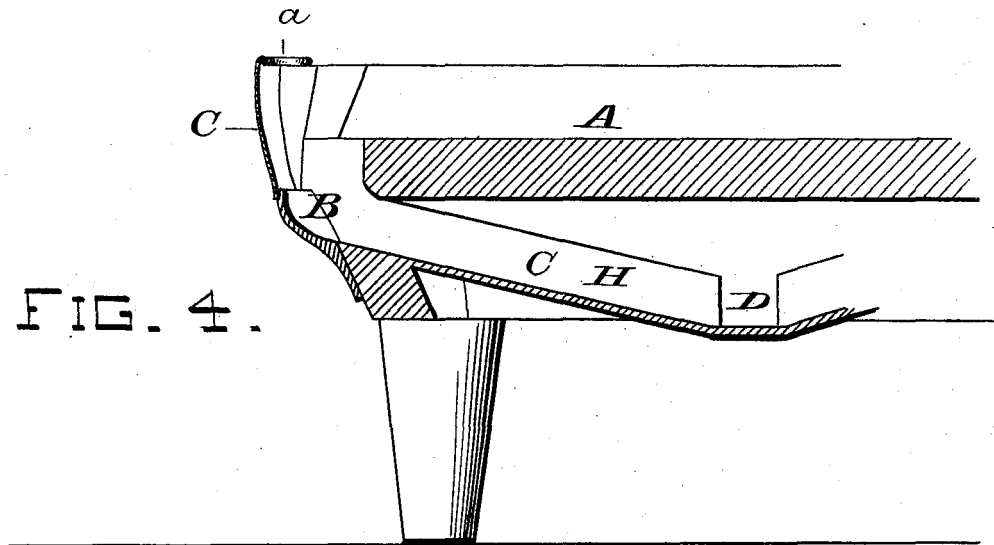


FIG. 5 -

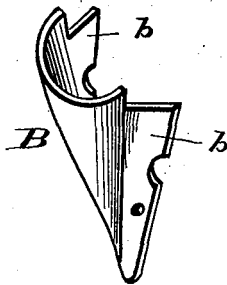
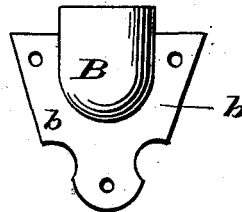


FIG. 6.



WITNESSES

Wilbur Bradford
M. B. Woodworth.

INVENTOR

Emanuel Brunswick
By *L. M. Smith*
Attorney.

UNITED STATES PATENT OFFICE.

EMANUEL BRUNSWICK, OF SAN FRANCISCO, CALIFORNIA.

BILLIARD-TABLE.

SPECIFICATION forming part of Letters Patent No. 324,004, dated August 11, 1885.

Application filed December 4, 1884. (No model.)

To all whom it may concern:

Be it known that I, EMANUEL BRUNSWICK, a citizen of the United States, residing at San Francisco, in the county of San Francisco and State of California, have invented certain new and useful Attachments for Billiard-Tables, of which the following is a specification.

Figure 1 is a top view of my improved billiard-table. Fig. 2 is a bottom view of the same. Fig. 3 is a longitudinal section. Fig. 4 is a cross-section through one side of the table. Fig. 5 is a perspective view of one of the corner pockets. Fig. 6 is an elevation of one of the side pockets.

Similar letters of reference are used to indicate like parts throughout the several figures.

The table A is constructed with four or more pockets, B B, and the outside of these pocket-holes is covered with a soft or yielding material, C C, leather or worsted netting being preferred for this purpose. In constructing these pockets the table is cut out in the usual manner, and the usual semicircular iron band, *a*, is let into the top of the cushion-rail of the table. Beneath the line of the lower edge of the bed of the table I secure by wood-screws the metal cup B, which is in reality the pocket. Those pockets which are intended for use upon the corners have side wings or flanges, *b*, extending from opposite sides of the pocket and at right angles to each other, as shown in Fig. 5, and when in place serve to brace and strengthen the corners of the table. The side pockets are also provided with side flanges extending out flat to the right and left hand, and beneath, as shown in Fig. 6; but while the exterior of these pockets may be of any desired form or design, ornamented or otherwise, the interior of each and all must be smooth-faced, and curved or hollowed out to such a degree as will make and form a continuous surface with the alley-way with which they are connected, as shown in Fig. 5, so that the ball, after it has dropped into the pocket, will roll smoothly and evenly.

The leather or other covering C, hereinbefore mentioned, extends from the upper semi-

circular band, *a*, down to and is made fast in any suitable manner to the top edge of the metal pocket B, and prevents the ball from flying off the table as it enters the opening cut through the cushion-rail, and which forms the mouth of the pocket.

A trough or alley-way, D, is placed underneath the table, one end of which is connected to the frame-work which supports the bed, and the opposite end connects with a box or ball-receptacle, E, while the trough itself is placed in a slightly-inclined position from its connection with the end of the table at F, such inclination extending down to the box or ball-receptacle.

From the four corners of the table extend branch troughs or alley-ways G, and these connect with the main or central trough, D, and are so inclined that the ball will always gravitate to the main trough.

From the side pockets the inclined troughs H lead down to and connect with the main or central trough, D, and when a ball is pocketed it is immaterial into which pocket it enters, as it will pass down the connecting-trough or alley-way and into the central trough and roll into the box or ball-receptacle at the foot of the table, to be recovered by the player for use again upon the table.

It will thus be seen that all the balls which are pocketed are recovered at a central or meeting point beneath and at one end of the table, and thus avoid the necessity of players traveling around the table to recover the pocketed balls.

I am aware that billiard or pool tables have heretofore been constructed with alley-ways leading from variously-situated pockets to the foot of the table, thus accomplishing a like purpose with my improved table. This feature, therefore, I do not broadly claim; but I am not aware that any one has as yet arranged a system of alley-ways or troughs in like manner as mine are arranged when combined with the pockets, as described.

Having thus described my invention, what I claim, and desire to secure by Letters Patent, is—

In a billiard or pool table having con-

cealed alley-ways, the combination, with a sustaining-rim, *a*, of metallic corner pockets, B, having side wings or flanges, *b b*, at right angles to each other, and the covering C, of
5 soft material, and metallic side pockets, B, likewise covered with soft material, and having side wings, *b b*, in line with each other, substantially as described.

In testimony that I claim the foregoing I have hereunto set my hand and seal.

EMANUEL BRUNSWICK. [l. s.]

Witnesses:

WILMER BRADFORD,

CHAS. E. KELLY.