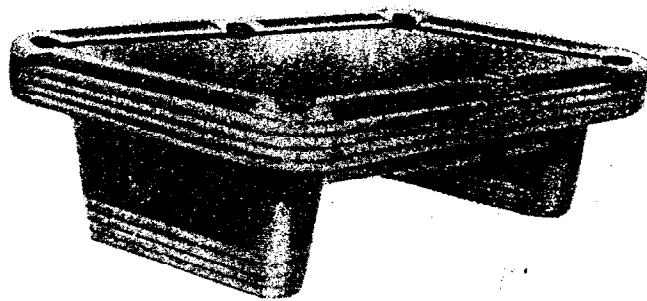


CENTENNIAL BILLIARD TABLE



ASSEMBLY MANUAL

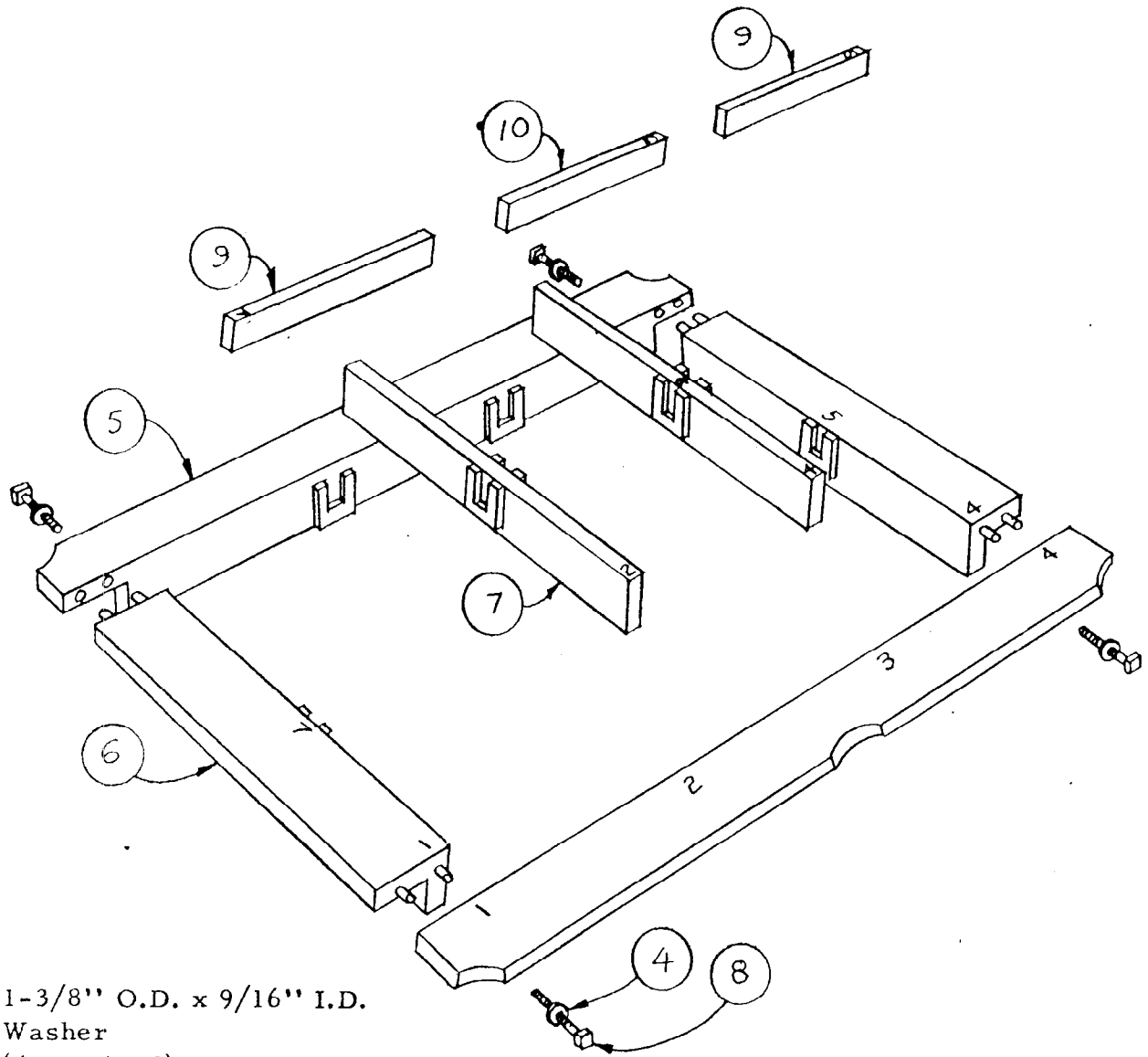
MODEL D-C

THE BRUNSWICK-BALKE-COLLENDER COMPANY

623 South Wabash Avenue

CHICAGO 5, ILLINOIS

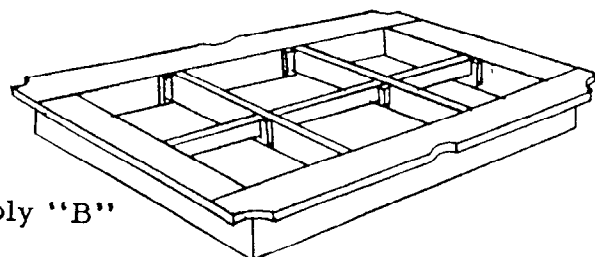
PART NO. 65510



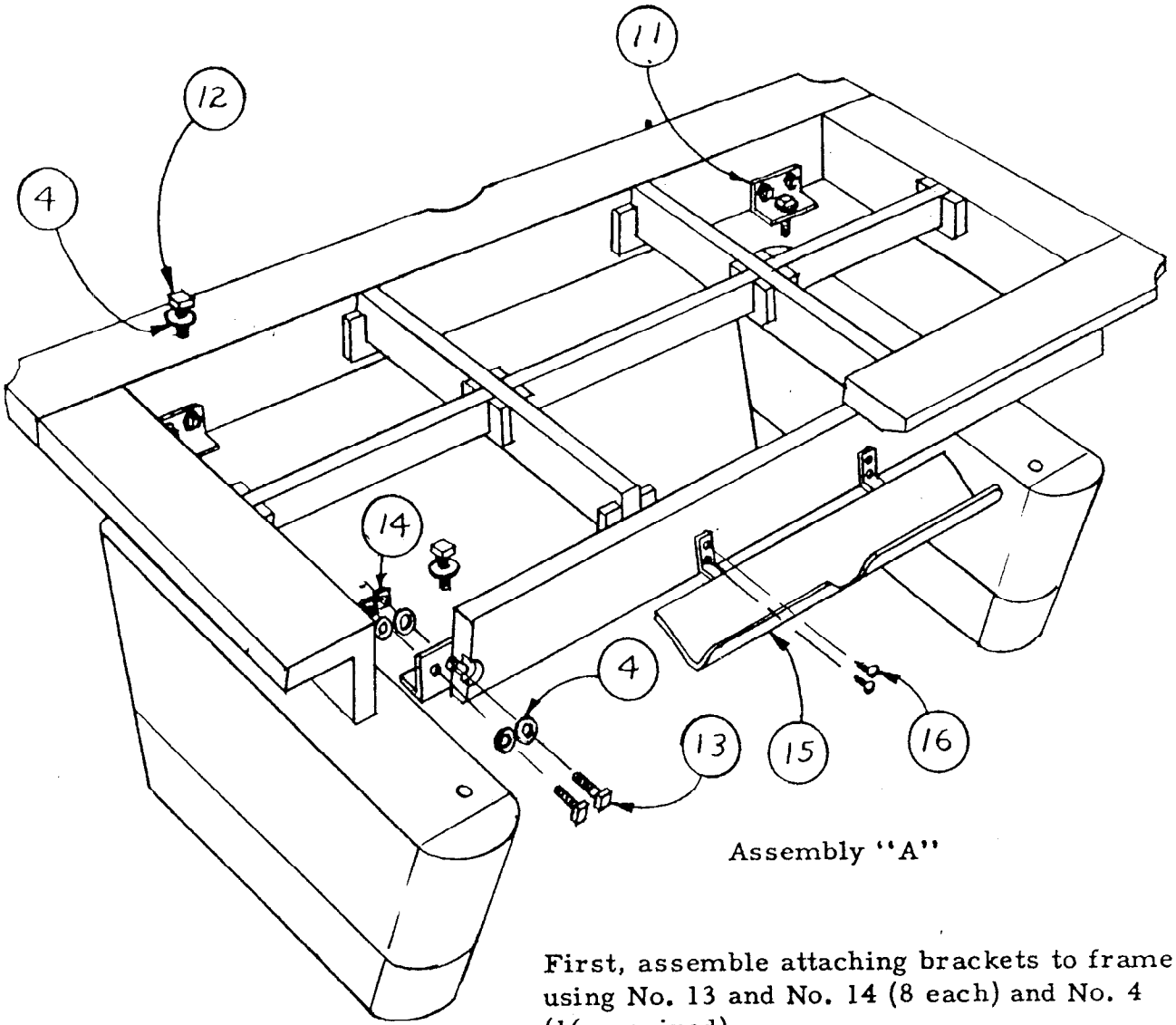
- 4. 1-3/8" O.D. x 9/16" I.D.
Washer
(4 required)
- 5. Side Rail - Base Frame (2 required)
- 6. End Rail - Base Frame (2 required)
- 7. Cross Support - Base Frame (2 required)
- 8. 1/2 - 13 x 7" Sq. Head Bolt (4 required)
- 9. Longitudinal Side member (2 required)
- 10. Longitudinal Center member (1 required)

Matching numbers stamped on base frame, (see sketch) assemble the two long (side) and two short (end) members of the Base Frame using #8 x #4 (4 each).

Place Cross Supports in saddles on side rails and longitudinal stretchers in saddles on End Rails and Cross Supports.



Assembly "B"



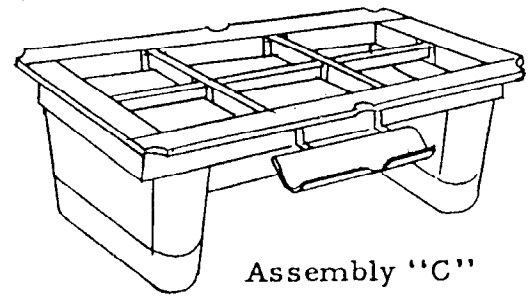
Assembly "A"

First, assemble attaching brackets to frame using No. 13 and No. 14 (8 each) and No. 4 (16 required)

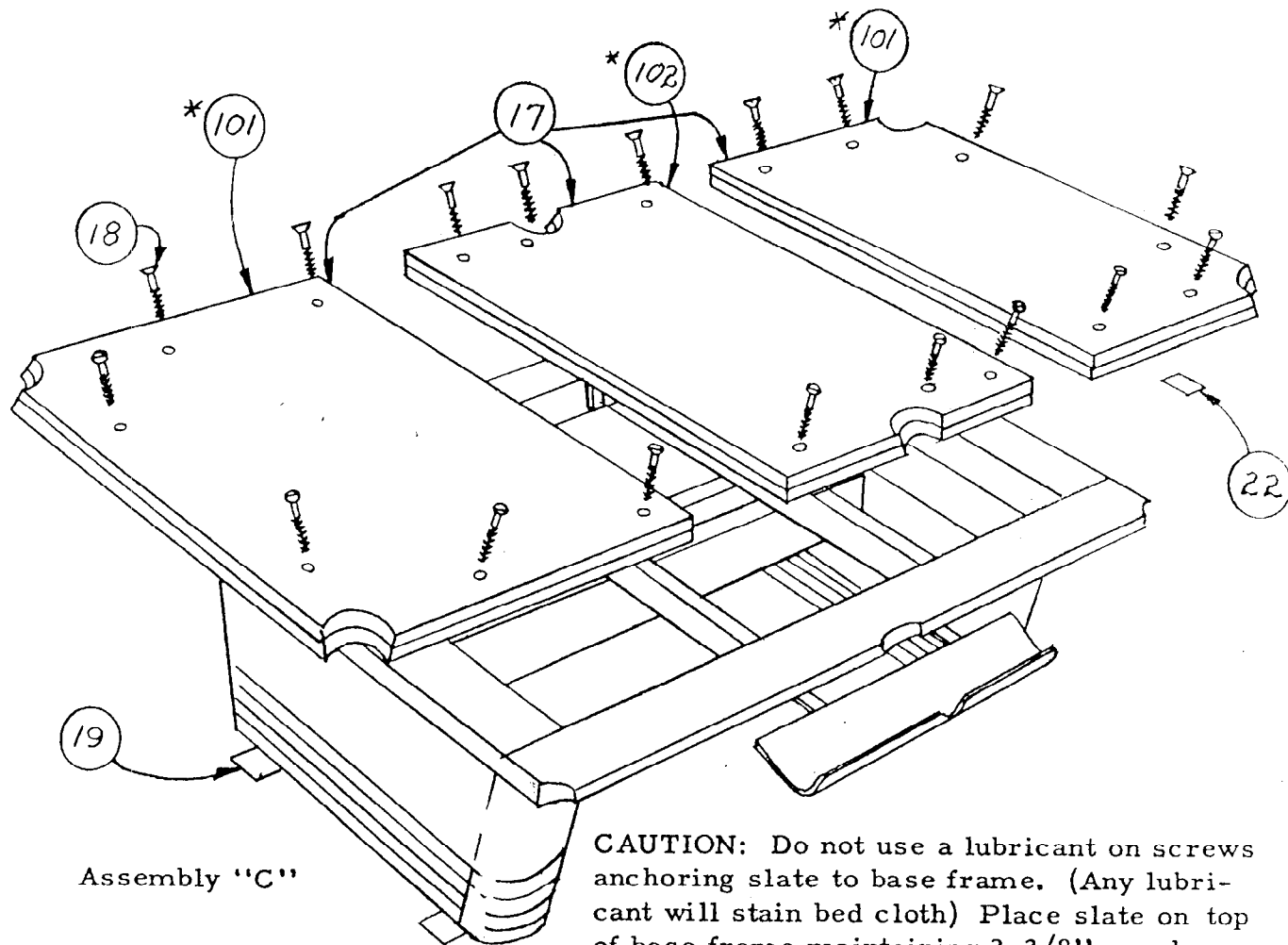
Next, attach frame to legs using No. 12 and No. 4 (4 each)

Center bridge trough on side rail of base frame and with bottom of bracket flush with bottom of rail, attach using No. 16 (4 required)

- 4. 1-3/8" O.D. x 9/16" I.D. Washer (20 required)
- 11. Attaching bracket (4 required)
- 12. 1/2" - 13 x 2" Sq.Hd. Bolt (4 required)
- 13. 1/2 - 13 x 3-1/4" Sq. Hd. Bolt (8 required)
- 14. 1/2 - 13 Sq. Head Nut (8 required)
- 15. Bridge Trough (2 required)
- 16. #12 x 1" R.H. Wood Screws (8 required)



Assembly "C"



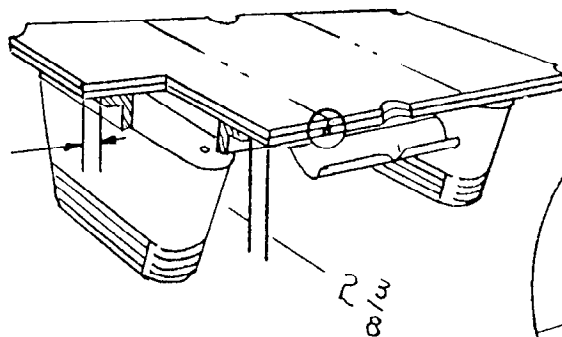
Assembly "C"

CAUTION: Do not use a lubricant on screws anchoring slate to base frame. (Any lubricant will stain bed cloth) Place slate on top of base frame maintaining 2-3/8" overhang on all sides. Holding joints tight, anchor slate to base frame using #18 Screw. (18 required)

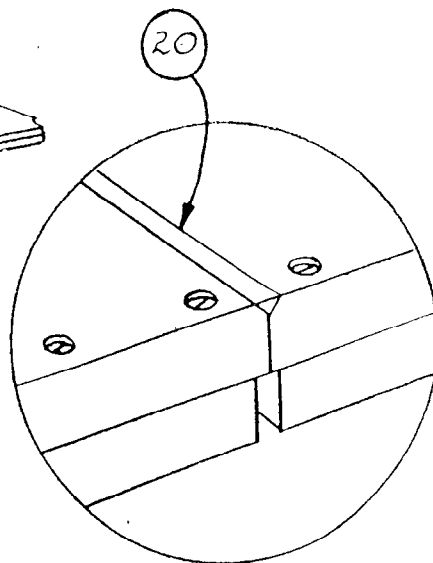
Level table with veneer shims under legs and paper shims under slate.

With Plaster of Paris, fill joints in slate, sand smooth and carefully clean slate and apply bed cloth. For applying cloth, see Pamphlet attached to bed cloth. After cloth is on, cut out holes in cloth for rail bolts.

- 17. Slate - 3 Sections
- 18. #16 - 3-1/2" F.H. Wood Screws (18 required)
- 19. Veneer Shims (as required)
- 20. Plaster of Paris (6 oz. package)
- 21. #4 Tacks (4 oz. package required)(Not shown)
- 22. Hard Paper Shims (As required)
- 23. Sand Paper 1/0 (2 required) (Not shown)
- 24. Bed Cloth (1 required) (Not shown)

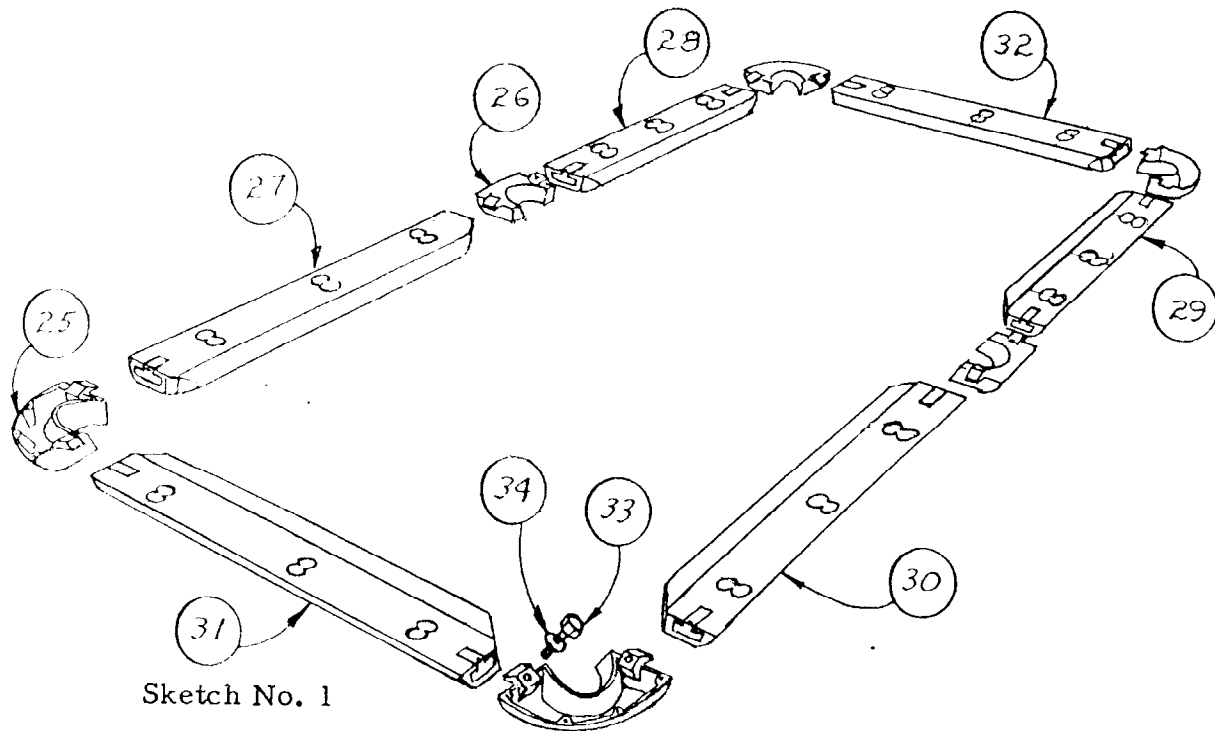


Assembly "D"



Face of slate must be flush at Joint.

* For Service Slate - See Parts List - Page 16

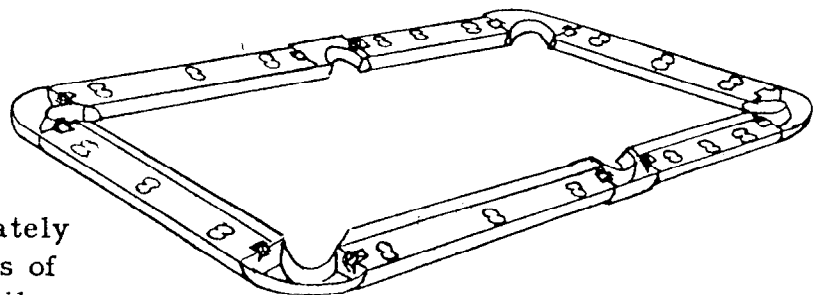


Sketch No. 1

- 25. Corner Rail Casting
(4 required)
- 26. Side Rail Casting
(2 required)
- 27. { Side Rail L.H.
- 29. { (2 required)
- 28. { Side Rail R.H.
- 30. { (2 required)
- 31. End Rail (Foot)
(1 required)
- 32. End Rail (Head)
(1 required)
- 33. 3/8 - 16 x 1-1/4 Hex.Hd. Bolt
(12 required)
- 34. 13/16 O.D. x 13/32 I.D. Washer
(12 required)

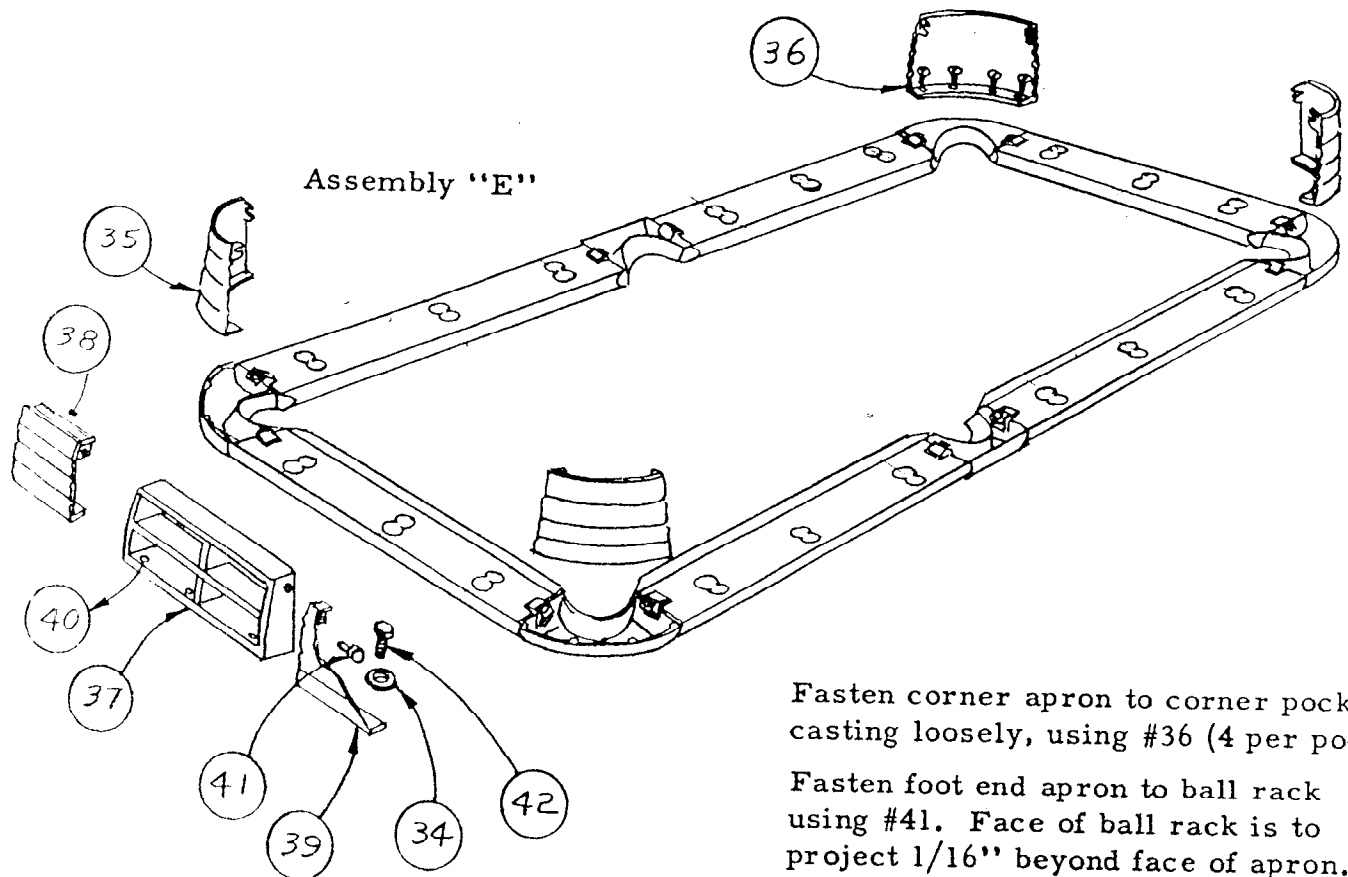
Assemble rails and pocket casting on table after first covering bed cloth with cardboard from packing cartons. Attach casting to rails using #33 and #34 (12 each).

NOTE: The ends of carom rails are stamped numerically. Be sure to match numbers 1 to 1, 2 to 2, etc.



Assembly "E"

Castings should project approximately 1/16" beyond top and curved edges of rail. Casting must line up with rails on the surface.



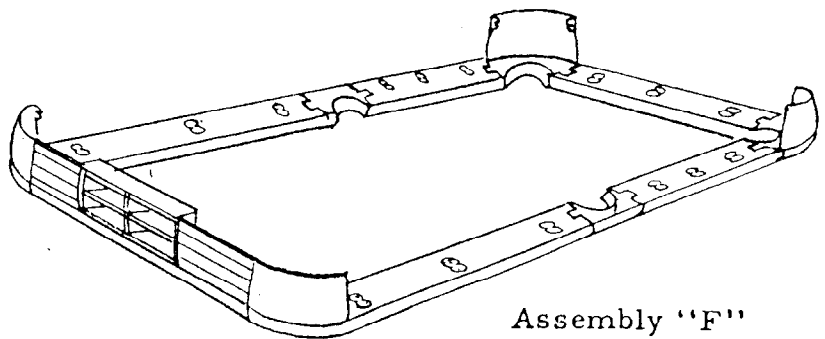
Assembly "E"

- 34. 13/16 O.D. x 13/32 I.D. Washer
(2 required)
- 35. Apron Corner
(4 required)
- 36. #10 - 24 x 1/2" Truss Head Mach. Screw
(16 required)
- 37. Apron Ball Rack - Reg. or Gully
(1 required)
- 38. Foot End Apron - R.H.
= (1 required)
- 39. Foot End Apron - L.H.
(1 required)
- 40. #10 x 1-1/2" F.H. Wood Screw
(3 required)
- 41. 1/4" - 20 x 1/2 Hex.Hd. Cap Screw
(2 required)
- 42. 3/8 - 16 x 3/4 Hex. Hd. Bolt
(2 required)

Fasten corner apron to corner pocket casting loosely, using #36 (4 per pocket)

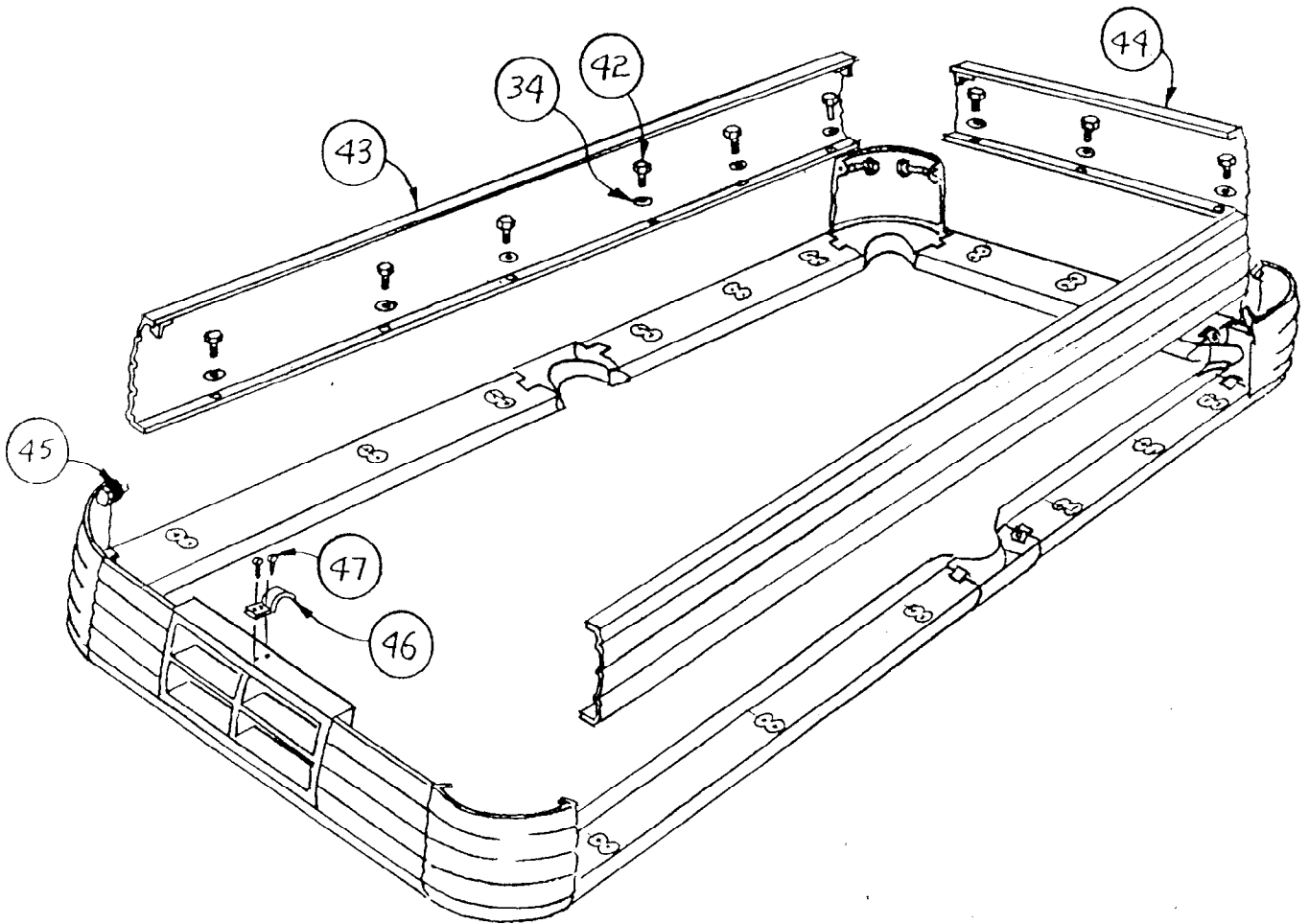
Fasten foot end apron to ball rack using #41. Face of ball rack is to project 1/16" beyond face of apron. Place assembly between corner apron castings, making sure ends of aprons are flush with edge of rail. Fasten aprons to rails using #42 and #34. (2 each).

Templating through holes in ball rack drill holes 1" deep in rails for ball rack attaching screws, using 1/8" diameter drill. Attach ball rack using #40 (3 required).



Assembly "F"

Note: For Carom tables, disregard instructions for installing ball box and foot end aprons.



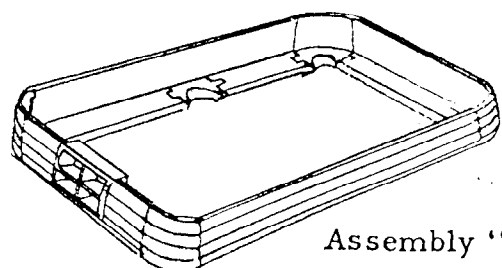
- 34. 13/16 O.D. x 13/32" I.D. Plain Washer
(15 required)
- 42. 3/8 - 16 x 3/4 Hex. Head Bolt
(15 required)
- 43. Side Apron
(2 required)
- 44. Head End Apron
(1 required)
- 45. 1/4 - 20 x 3/4 Hex. Head Bolt
(8 required)
- 46. Triangle Hanger
(1 required)
- 47. #10 - 1" R.H. Wood Screw
(2 required)

Assemble head end and side aprons as shown and attach to ears on corner apron castings using #45 (8 required).

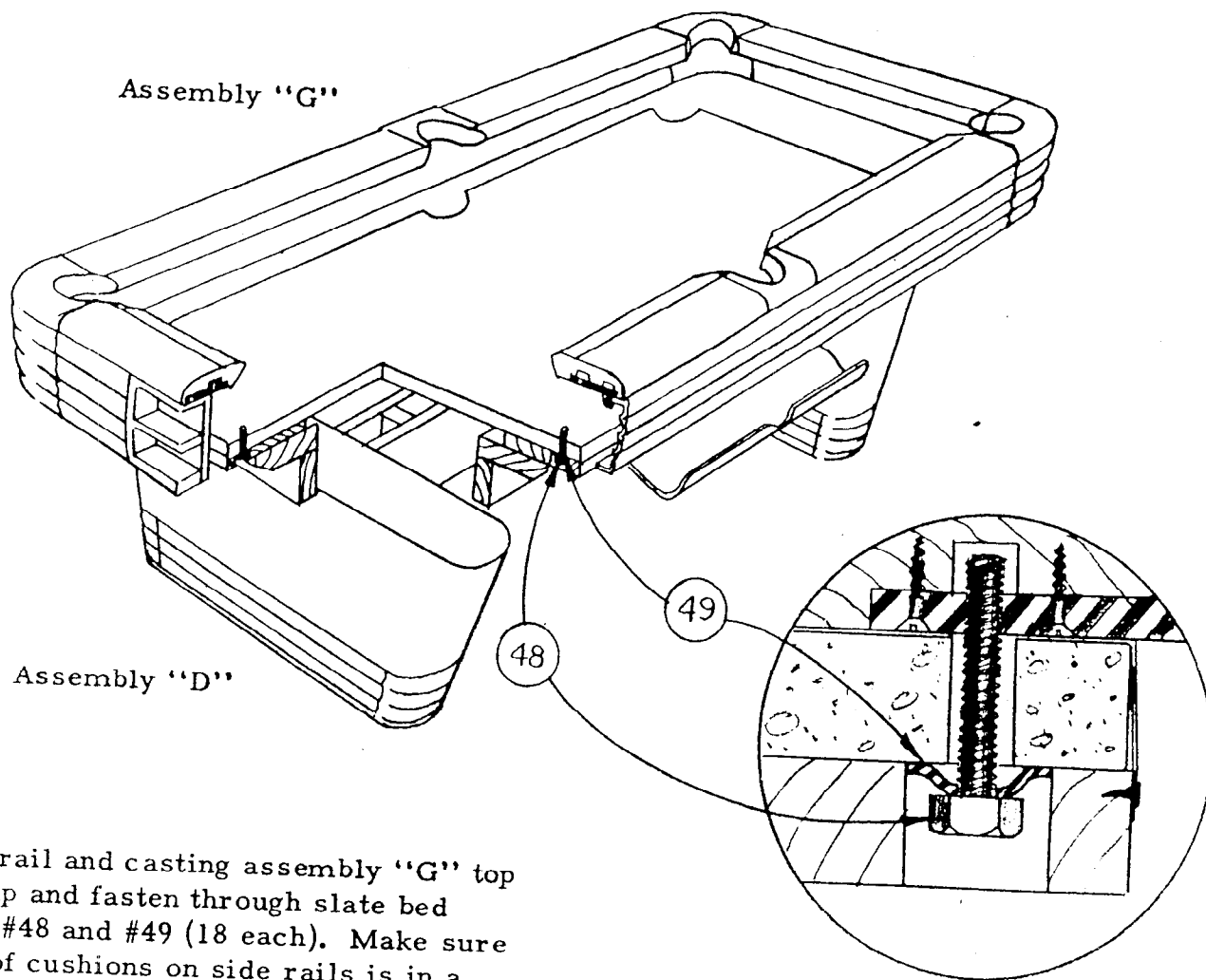
With face of corner apron casting projecting 1/16" beyond face of aprons, tighten attaching screw.

Triangle hanger to be centrally located on bottom of ball rack as shown.

NOTE: For Carom table head and foot end aprons are alike. Neither ball box nor short foot end aprons are required. This also applies to Snooker Tables.



Assembly "G"



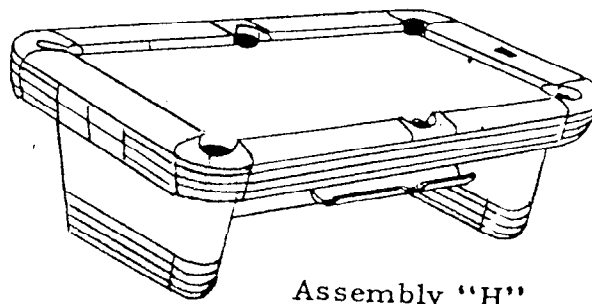
Turn rail and casting assembly "G" top side up and fasten through slate bed using #48 and #49 (18 each). Make sure nose of cushions on side rails is in a straight line.

Be sure dome lock washer is not reversed.

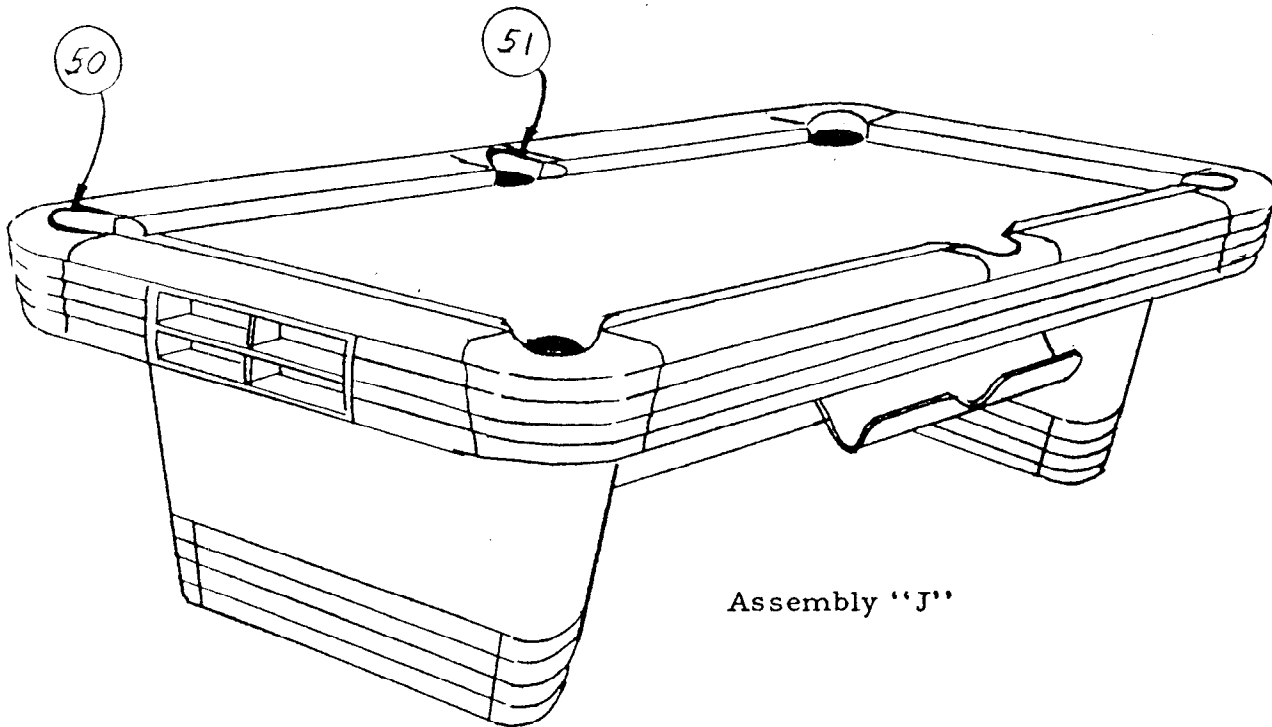
For Gully - See Page #12

48. 3/8" - 16 - 2" Hex. Head Bolt
(18 required)

49. 1-3/8 O.D. Dome type Lock Washer
(18 required)



Assembly "H"



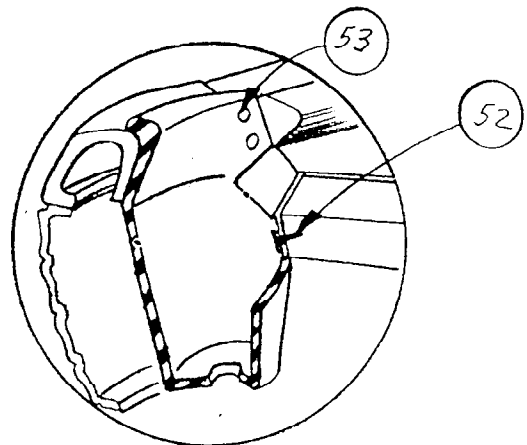
Assembly "J"

- 50. Corner Pocket
(4 required)
- 51. Side Pocket
(2 required)
- 52. #8 Tacks
(24 required)
- 53. #2D Wire Nails
(24 required)

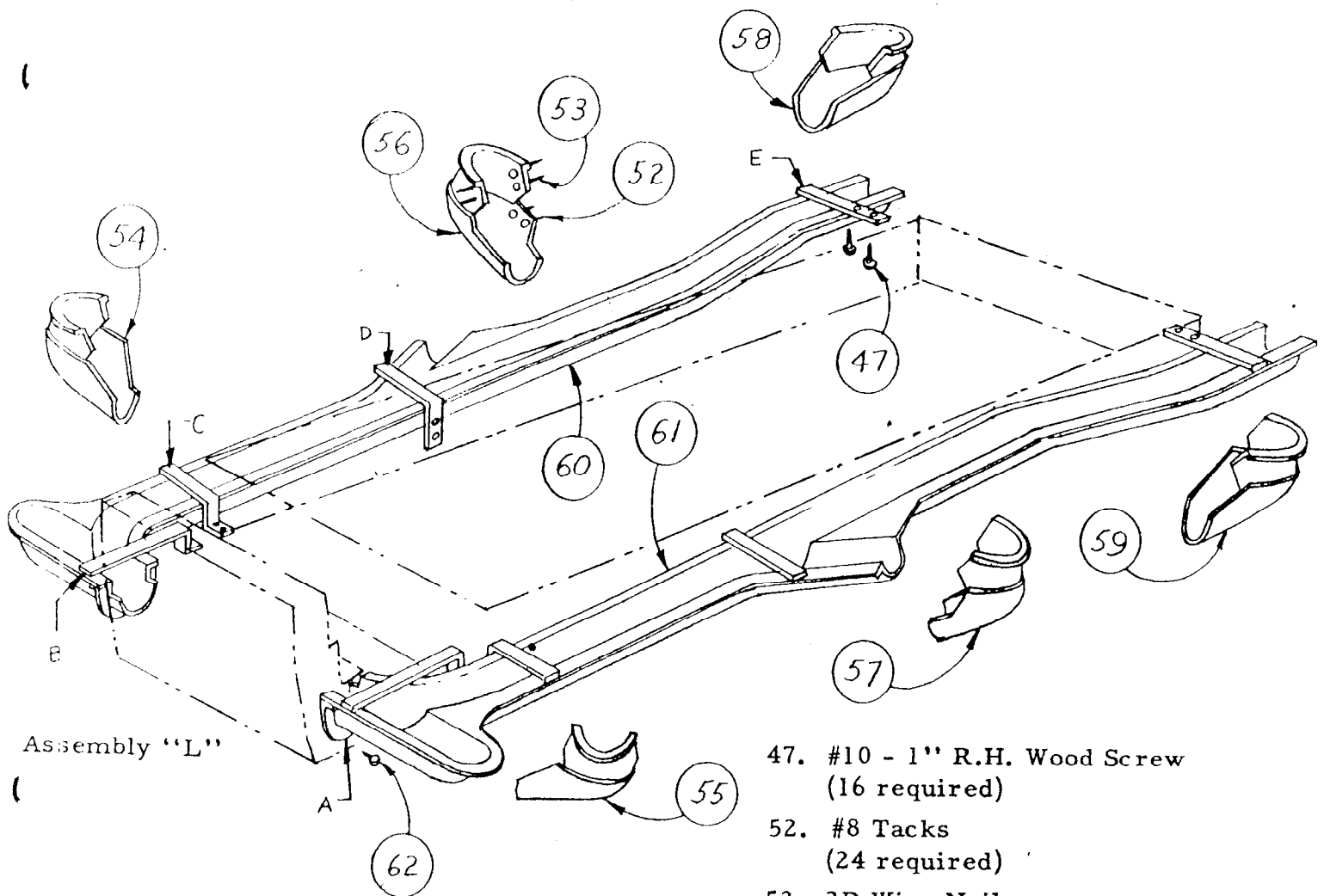
Place corner and side pockets in their respective positions and trim as necessary to fit ends of cushion. Fasten in place using #53 (4 per pocket.).

Tack around slate using #52 (4 per pocket)
Be sure to tack to under-cut.

Be sure pocket is held firmly against casting when it is nailed in place.



Having followed instructions on Page #3 through #10
the directions on this page will complete a Gully Table.



Assembly "L"

TO INSTALL DC GULLY EQUIPMENT

Insert foot end of gully tube into hole in gully box and attach yoke "A" using #62 (3 per yoke)

Attach brackets "B" and "C" to corner of base frame rail at bottom. Attach bracket "D", making sure end of bracket is flush with bottom against the rail of base frame. Attach all brackets using #47 (2 per bracket).

Insert gully boot in openings and fit and trim as necessary.

Nail in place using #53 (4 per pocket)

Tack around pocket opening using #52 (4 per pocket)

Be sure to tack to under-cut.

- 47. #10 - 1" R.H. Wood Screw
(16 required)
- 52. #8 Tacks
(24 required)
- 53. 2D Wire Nail
(24 required)
- 54. Gully Boot Assembly Foot R.H.
(1 required)
- 55. Gully Boot Assembly Foot L.H.
(1 required)
- 56. Gully Boot Assembly Side R.H.
(1 required)
- 57. Gully Boot Assembly Side L.H.
(1 required)
- 58. Gully Boot Assembly Head R.H.
(1 required)
- 59. Gully Boot Assembly Head L.H.
(1 required)
- 60. Gully Tube Assembly R.H.
(1 required)
- 61. Gully Tube Assembly L.H.
(1 required)
- 62. #10 - 5/8 R.H. Wood Screw
(6 required)