

Jan. 5, 1926.

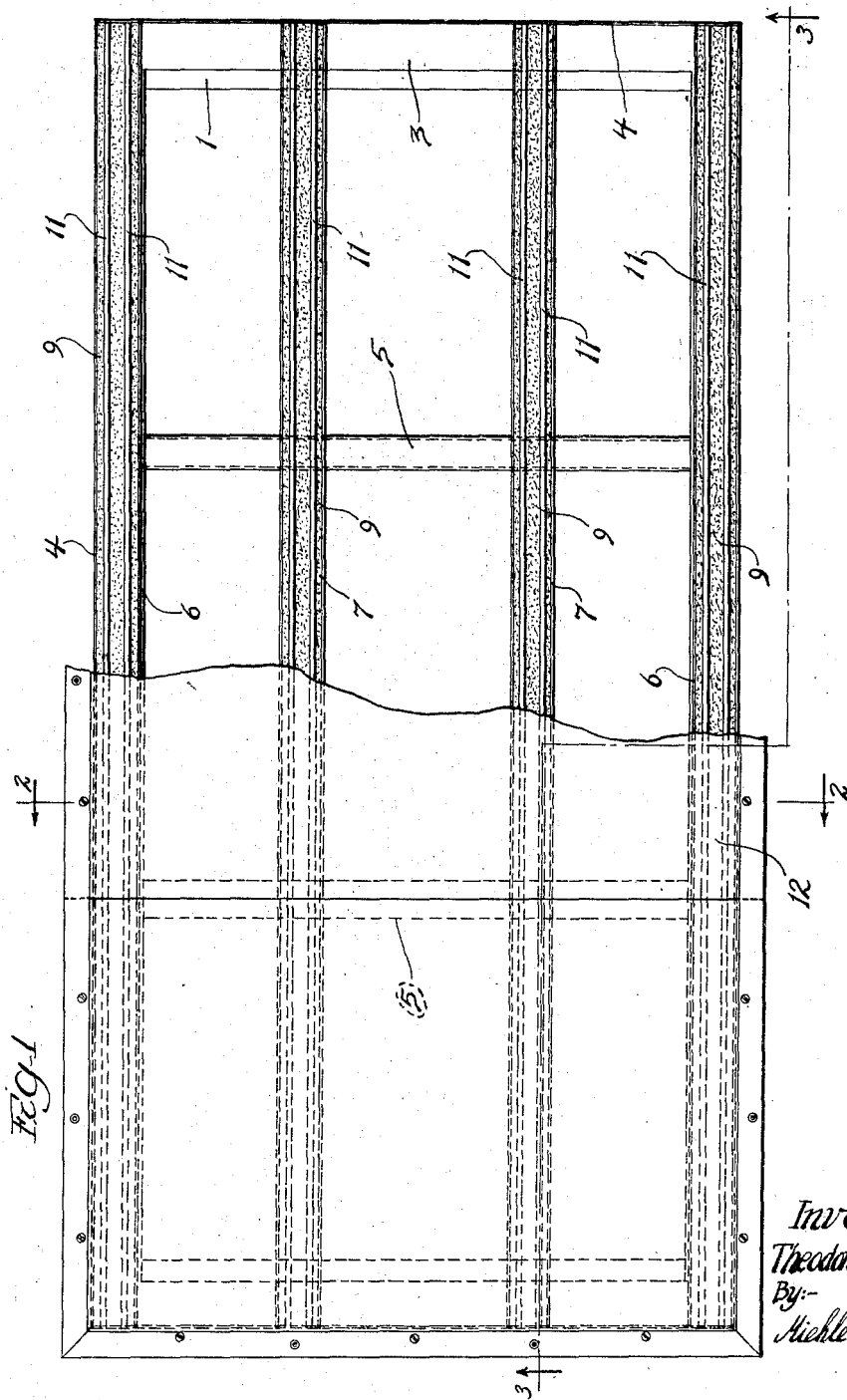
T. R. TREIBER

1,568,106

GAME TABLE

Filed Jan. 18, 1924

3 Sheets-Sheet 1



Inventor:  
Theodore R. Treiber  
By:-  
Kiehl + Kiehl  
Atty's.

Jan. 5, 1926.

T. R. TREIBER

1,568,106

GAME TABLE

Filed Jan. 18, 1924

3 Sheets-Sheet 2

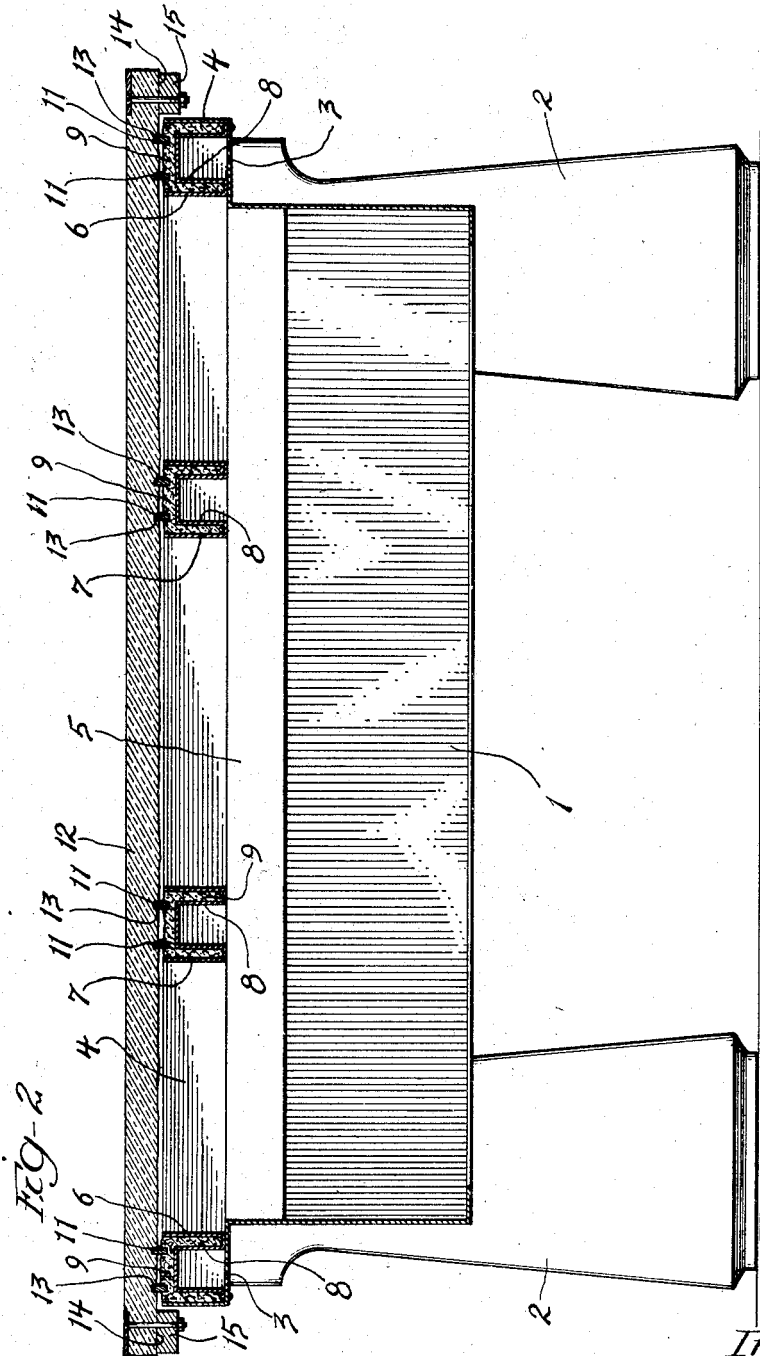


Fig. 2

Inventor:  
Theodore R. Treiber

By: Michle & Michle, Attys.

Jan. 5, 1926.

1,568,106

T. R. TREIBER

GAME TABLE

Filed Jan. 18, 1924

3 Sheets-Sheet 3

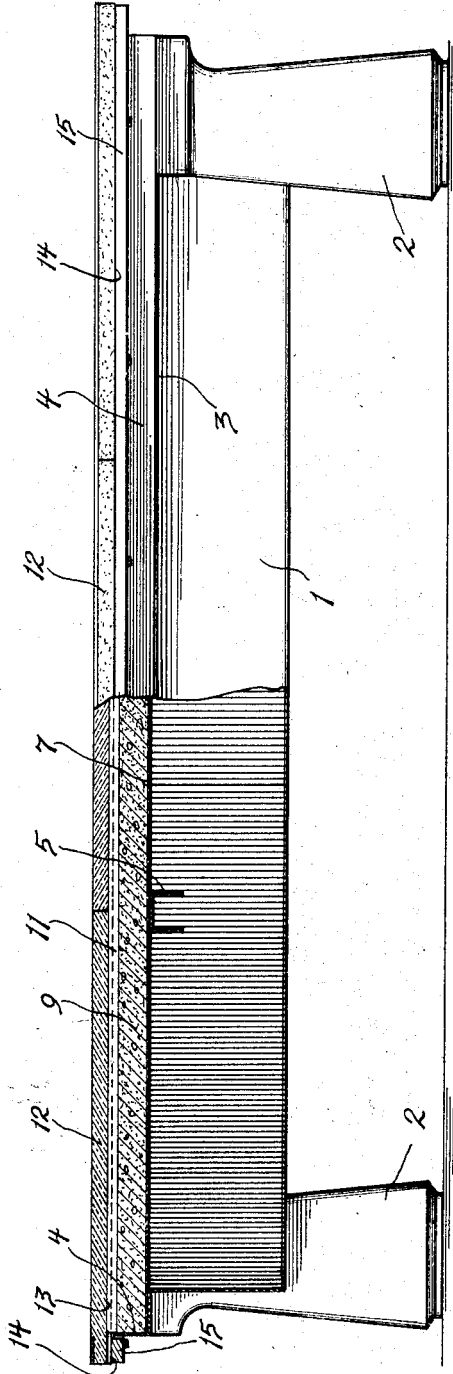


Fig. 3

Inventor  
Theodore R. Treiber

By: Miehle & Miehle, Attys.

# UNITED STATES PATENT OFFICE.

THEODORE R. TREIBER, OF CHICAGO, ILLINOIS, ASSIGNOR TO WILLIAM H. McWHORTER, OF CHICAGO, ILLINOIS.

## GAME TABLE.

Application filed January 18, 1924. Serial No. 687,035.

*To all whom it may concern:*

Be it known that I, THEODORE R. TREIBER, a citizen of the United States, residing in Chicago, in the county of Cook, State of Illinois, have invented a certain new and useful Improvement in Game Tables, of which the following is a full, clear, concise, and exact description, reference being had to the accompanying drawings, forming a part of the specification.

My invention relates particularly to pool and billiard tables although not limited to this use alone.

The main features of the invention reside in the provision of a slate table bed and table frame and bed supporting structure which provides a light, solid, and unyielding true support for the bed which is well adapted to withstand the strains incident to the use of the table, and which can be manufactured economically.

The invention relates particularly to a metal table construction and certain features of the invention relate to the construction of a metal table with the aforementioned features in view.

With these features in view my invention consists in certain features of novelty in the construction, combination, and arrangement of parts by which the said features and certain other features, hereinafter appearing, are effected, all as fully described with reference to the accompanying drawings and more particularly pointed out in the claims.

In the said drawings—

Figure 1 is a top plan view of a game table frame and bed mounted thereon and partially broken away.

Figure 2 is a section taken on the line 2—2 of Fig. 1.

Figure 3 is a partial sectional view taken on the line 3—3 of Fig. 1.

Like characters of reference indicate like parts in the several views.

Referring to the drawings 1 designates an elongated rectangular sheet metal, such as sheet steel, frame of deep sided marginal formation, and this frame is supported on sheet metal legs 2 at the corners of the frame as is usual. The frame is provided with an outwardly projecting upwardly disposed horizontal portion 3 extending

therearound and with a vertical upwardly extending flange 4 at the outer edge of the horizontal portion and extending therearound. Inverted U-shaped sheet metal, such as sheet steel, supports 5 extend across between the long sides of the frame in spaced relation with the ends of the frame and each other and are permanently secured to the long sides of the table, such as by welding, and have the upper surfaces thereof disposed in the plane of the upper surface of the horizontal portion 3 of the frame.

Sheet metal, such as sheet steel, formations 6 extend along the top of the horizontal portion 3 at respective long sides of the frame and are permanently riveted thereon and form upwardly facing sheet metal channels with the vertical flange 4 extending longitudinally of the frame in spaced parallelism at respective long sides of the frame. Additional upwardly facing sheet metal, such as sheet steel, channels 7 extend longitudinally of the frame between the long sides thereof in spaced parallelism with the aforementioned upwardly facing channels and with each other, and these channels have their ends resting on the upper surface of the horizontal portion 3 at the ends of the frame for support of the ends of these channels 7 and on the upper surface of the supports 5 for support of the intermediate portions of these channels 7. The channels 7 are permanently secured to the horizontal portion 3 of the frame and to the supports 5 such as by welding. The channels formed by the formations 6 and the vertical flange 4 and the channels 7 are provided with downwardly facing U-shaped formations 8 in the bottom walls thereof and extending longitudinally of the same in spaced relation with the side walls thereof for purposes hereinafter appearing. The flange 4 at the ends of the frame forms ends for the aforementioned channels.

A cement substance 9, capable of taking on an unyielding set, such as a Portland cement mixture or a plaster of Paris mixture or similar material, is disposed in the aforementioned channels and hardened therein, and pairs of metal, such as steel, bed supporting bars 11 extend longitudinally of respective channels in spaced paral-

lelism and are permanently embedded or set in the cement substance 9 therein and project upwardly therefrom for supporting a slate bed 12 on the upper surfaces thereof, these upper surfaces being preferably disposed in a common horizontal plane for this purpose. The preferred manner of embedding or setting the bars 11 in the cement substance 9 in the channels consists in suspending the bars 11 in proper positions with respect to the channels, placing the cement substance while soft into the channels and maintaining the bars 11 in their proper positions until the cement substance is set or hardened. After the cement substance hardens the bars 11 are firmly held in place and supported throughout their lengths thus providing a solid and continuous seat for the bed. The inverted U-shaped formations 8 in the bottom walls of the channels decrease the cross sectional area of the cement substance 9 while permitting a deep section of the cement substance thereby effecting considerable strength without undue weight.

The bed 12 is of elongated rectangular formation corresponding with the frame 1 and consists of several pieces of slate disposed in edge to edge relation longitudinally thereof as is usual. The upper face of the bed is finished as is usual, and a plurality of grooves 13 are cut into the lower face thereof and extend longitudinally of the bed in spaced parallelism corresponding with the bars 11 and form finished surfaces disposed in a common plane parallel with the upper face and adapted to engage respective of the bars 11 when the bed is seated thereon. By arranging the bars 11 to extend in the same direction all of the grooves 13 may be cut in the slating with one setting thereof in a planer or other finishing machine with obvious economy.

The portion of the lower face of the bed 12 disposed between the grooves 13 can either not be finished at all or only roughly finished without particular accuracy thus effecting economy in the machining of the slate pieces forming the bed. The lower face of the bed preferably is provided with a marginal finished surface 14 for the securing of cloth tacking strips 15 thereagainst, the function of this surface not requiring particular accuracy in the finishing thereof. The marginal structure of the bed requires no further description herein as it is not involved in the present invention other than as above mentioned, and is fully described and claimed in my U. S. Patent No. 1,516,654, issued November 25, 1924, for an improvement in game table.

In the use of the term slate I do not wish my invention specifically limited thereto as the invention is adapted for other materials as well, but have used the term for the rea-

son that slate is the material of which game table beds are universally made at the present.

While I have herein shown and particularly described the preferred embodiment of my invention I do not wish to be limited to the precise details of construction shown as changes may readily be made without departing from the spirit of my invention, but having thus described my invention I claim as new and desire to secure by Letters Patent the following:—

1. The combination in a metal game table of a plurality of metal bed supporting members fixed on the frame of the table, and a slate bed provided with a plurality of finished grooves on its lower surface providing finished surfaces for engagement by said supporting members when the bed is seated thereon.

2. The combination in a metal game table of a plurality of spaced metal bed supporting members fixed on the frame of the table and all extending in the same direction and constituting the sole bed supporting means, and a slate bed provided with a corresponding plurality of finished grooves on its lower face spaced and extending in correspondence with said supporting members and providing finished surfaces for engagement by said supporting members when the bed is seated thereon.

3. The combination in a metal game table of elongated rectangular formation of a plurality of metal bed supporting bars permanently fixed on the frame of the table and extending longitudinally thereof in spaced parallelism and having their upper surfaces disposed in a common horizontal plane and constituting the sole bed supporting means, and an elongated rectangular slate bed having a plurality of finished grooves on its lower face extending longitudinally thereof in spaced parallelism corresponding with said supporting bars and providing finished surfaces disposed in a common plane parallel with the upper surface of the bed for engagement by said bars when the bed is seated thereon.

4. The combination in a game table of a metal frame, a plurality of horizontally disposed metal channels secured on the frame, a cement substance, capable of taking on an unyielding set, in the channels and hardened therein, a plurality of metal bed supporting members set in the cement substance in respective channels and projecting upwardly therefrom and having their upper surfaces disposed in a common horizontal plane, and a slate bed provided with a plurality of surfaces on its lower face disposed in a common plane and in correspondence with said supporting bars and adapted to engage respective supporting bars thereof when the bed is seated thereon.

5. The combination in a game table of an elongated rectangular sheet metal frame of deep sided marginal formation, a plurality of sheet metal channels fixed on the frame at the top thereof and extending longitudinally of the same in spaced parallelism, a cement substance, capable of taking on an unyielding set, in the channels and hardened therein, a plurality of metal bed supporting bars arranged longitudinally of respective channels and embedded in the cement substance therein and projecting upwardly therefrom and having their upper surfaces disposed in a common horizontal plane, and an elongated rectangular slate bed provided with a plurality of grooves cut in the lower face thereof, and extending longitudinally thereof in spaced parallelism corresponding with said bars and forming finished surfaces disposed in a common plane adapted to engage respective of said bars when the bed is seated thereon.

6. The combination in a game table of an elongated rectangular sheet metal frame of deep sided marginal formation provided with an outwardly projecting upwardly disposed horizontal portion extending therearound, upwardly facing sheet metal channels permanently fixed on the frame and extending longitudinally of the frame in spaced parallelism with the outer channels on top of the horizontal portion at respective long sides of the frame, said channels being provided with downwardly facing U-shaped formations in the bottom walls thereof and extending longitudinally of the same in spaced relation with the side walls of the channels, a cement substance, capable of taking on an unyielding set, in the channels and hardened therein, pairs of metal bed supporting bars arranged longitudinally of respective channels in spaced parallelism and permanently embedded in the cement substance therein and projecting upwardly therefrom and having their upper surfaces disposed in a common horizontal plane, and an elongated rectangular slate bed provided with a plurality of grooves cut in the lower face thereof and extending longitudinally thereof in spaced parallelism corresponding with said bars and forming finished surfaces disposed in a common plane adapted to engage respective of said bars when the bed is seated thereon.

7. The combination with a metal game table frame of a plurality of horizontally disposed spaced bed supporting members secured thereon and all extending in the same direction and constituting the sole support for the bed of the table.

8. The combination with a sheet metal game table frame of elongated rectangular formation of a plurality of metal bed supporting bars permanently fixed with the frame and extending longitudinally of the

table in spaced parallelism and constituting the sole support for the bed of the table.

9. The combination with a game table frame, of a plurality of horizontally disposed channels carried by the frame, of a cement substance, capable of taking on an unyielding set, in the channels and hardened therein, and a plurality of bed supporting members set in the cement substance in respective channels for supporting the bed of the table.

10. The combination with a metal game table frame, of a plurality of horizontally disposed upwardly facing metal channels permanently secured thereon, a cement substance, capable of taking on an unyielding set, in the channels and hardened therein, and a plurality of metal support bars arranged longitudinally of respective channels and permanently set in the cement substance therein and projecting upwardly therefrom for supporting the bed of the table.

11. The combination with a metal game table frame, of a plurality of horizontally disposed metal channels secured on the frame at the top thereof in spaced parallelism, a cement substance, capable of taking on unyielding set, in the channels and hardened therein, and a plurality of metal bed supporting bars arranged longitudinally of respective channels and permanently embedded in the cement substance therein and projecting outwardly therefrom for supporting the bed of the table.

12. The combination with a game table frame of a plurality of horizontally disposed upwardly facing metal channels secured thereon, said channels being provided with downwardly facing U-shaped formations in the bottom walls thereof and extending longitudinally of the same in spaced relation with the side walls of the channels, a cement substance, capable of taking on an unyielding set, in the channels and hardened therein, and a plurality of bed supporting bars extending longitudinally of respective channels and embedded in the cement substance therein and projecting upwardly therefrom for supporting the bed of the table.

13. The combination with a game table frame of a plurality of horizontally disposed upwardly facing metal channels secured thereon at the top thereof and disposed in spaced parallelism, said channels being provided with downwardly facing U-shaped formations in the bottom walls thereof and extending longitudinally of the same in spaced relation with the side walls of the channels, a cement substance, capable of taking on an unyielding set, in the channels and hardened therein, and pairs of metal bed supporting bars extending longitudinally of respective channels in spaced parallelism and embedded in the cement sub-

stance therein and projecting upwardly therefrom for supporting the bed of the table.

14. The combination with an elongated rectangular sheet metal game table frame of deep sided marginal formation, of upwardly facing sheet metal channels permanently secured thereon at the top thereof and extending longitudinally of the same in spaced parallelism, said channels being provided with downwardly facing U-shaped formations in the bottom walls thereof and extending longitudinally of the same in spaced relation with the side walls of the channels, a cement substance, capable of taking on an unyielding set, in the channels and hardened therein, and pairs of metal bed supporting bars extending longitudinally of respective channels in spaced parallelism and permanently embedded in the cement substance therein and projecting upwardly therefrom for supporting the bed of the table.

15. The combination with an elongated rectangular sheet metal game table frame, of a plurality of upwardly facing sheet metal channels secured on the frame at the top thereof and extending longitudinally of the same in spaced parallelism, a cement substance, capable of taking on an unyielding set, in the channels and hardened therein, and a plurality of metal bed supporting bars arranged longitudinally of respective channels and embedded in the cement substance therein and projecting upwardly therefrom for supporting the bed of the table.

16. The combination with an elongated rectangular sheet metal game table frame of deep sided marginal formation provided with an outwardly projecting upwardly disposed horizontal portion extending therearound, of metal channels permanently fixed on the frame and extending longitudinally of the same in spaced parallelism and having the outer channels on the horizontal portion at respective long sides of the frame, a cement substance, capable of taking on an unyielding set, in the channels and hardened therein, and a plurality of metal bed supporting bars arranged longitudinally of respective channels and permanently embedded in the cement substance and projecting upwardly therefrom for supporting the bed of the table.

17. The combination with an elongated rectangular sheet metal frame of deep sided marginal formation provided with an outwardly projecting upwardly disposed horizontal portion extending therearound and with a vertical upwardly extending flange at the outer edge of the horizontal portion and extending therearound, metal formations extending along on top of the horizontal portion at respective long sides of the frame and secured therewith and forming

upwardly facing channels with the vertical flange at respective long sides of the frame, the vertical flange at the ends of the frame forming ends for the channels, a cement substance, capable of taking on an unyielding set, in said channels and hardened therein, and metal bed supporting bars arranged longitudinally of respective channels and embedded in the cement substance therein and projecting upwardly therefrom for supporting the bed of the table.

18. The combination with an elongated rectangular sheet metal frame of deep sided marginal formation provided with an outwardly projecting upwardly disposed horizontal portion extending therearound and with a vertical upwardly extending flange at the outer edge of the horizontal portion and extending therearound, sheet metal formations extending along on top of the horizontal portion at respective long sides of the frame and secured therewith and forming upwardly facing channels with the vertical flange at respective long sides of the frame, additional upwardly facing sheet metal channels extending longitudinally of the frame between the long sides thereof and in spaced relation with each other and the first mentioned channels and having their ends resting on and secured to the horizontal portions at the ends of the frame, the vertical flange at the ends of the frame forming ends for the channels, sheet metal supports secured to and extending across between the long sides of the frame in spaced relation with the ends of the frame and each other and underlying the second mentioned channels for supporting the intermediate portions thereof, a cement substance, capable of taking on an unyielding set, in the channels and hardened therein, and a plurality of metal supporting bars arranged longitudinally of respective channels and embedded in the cement substance therein and projecting upwardly therefrom for supporting the bed of the table.

19. A slate game table bed having in combination a finished upper face and a plurality of grooves cut in the lower face thereof and disposed in spaced parallelism and forming finished supporting surfaces disposed in a common plane parallel with the upper face.

20. A slate game table bed of elongated rectangular formation having in combination a finished upper face and a plurality of grooves cut in the lower face thereof and extending longitudinally of the bed in spaced parallelism and forming finished supporting surfaces disposed in a common plane parallel with the upper face.

21. A slate game table bed having in combination a finished upper face, a plurality of grooves cut into the lower face thereof and extending in spaced parallelism and forming finished supporting surfaces dis-

posed in a common plane parallel with the upper face, and a marginal finished surface on the lower face.

22. A slate game table bed of elongated rectangular formation having in combination a finished upper face, a plurality of grooves cut into the lower face thereof and extending longitudinally of the bed in

spaced parallelism and forming finished supporting surfaces disposed in a common plane parallel with the upper face, and a marginal finished surface on the lower face. 10

In witness whereof I hereunto affix my signature this sixteenth day of January, 1924.

**THEODORE R. TREIBER.**