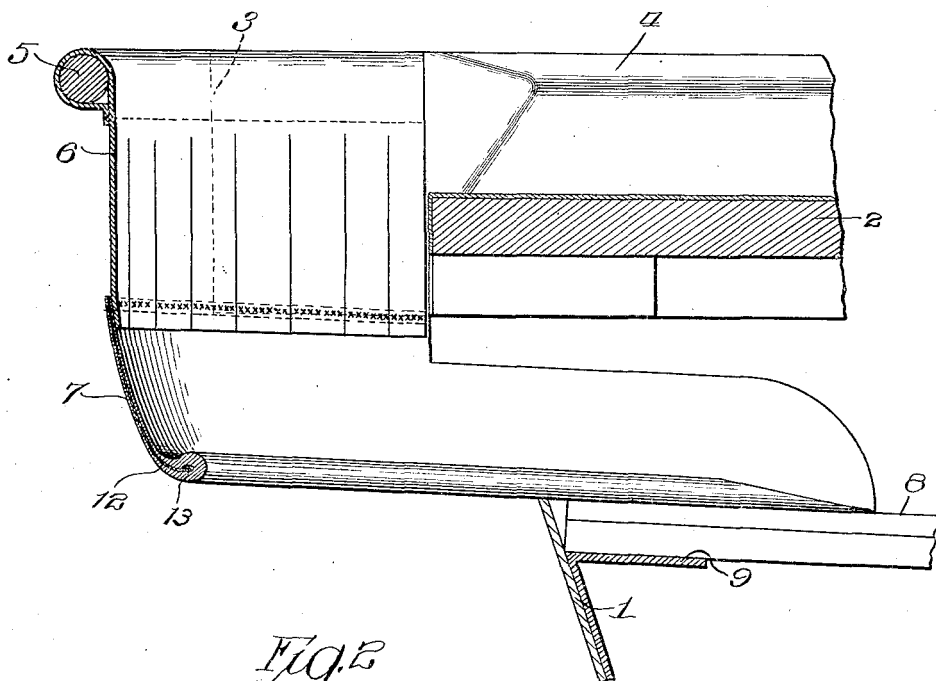


T. R. TREIBER.  
 GULLY BOOT FOR POCKET BILLIARD TABLES.  
 APPLICATION FILED JUNE 28, 1919.

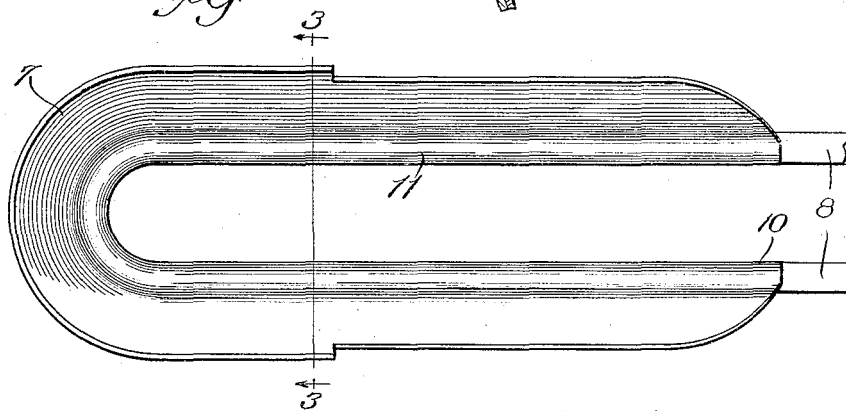
1,361,930.

Patented Dec. 14, 1920.

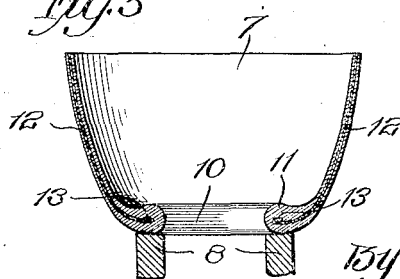
*Fig. 1*



*Fig. 2*



*Fig. 3*



Inventor:  
*Theodore R. Treiber*  
 By *Nichol & Nichol Attys.*

# UNITED STATES PATENT OFFICE.

THEODORE R. TREIBER, OF CHICAGO, ILLINOIS, ASSIGNOR, BY MESNE ASSIGNMENTS,  
TO J. C. McFARLAND COMPANY, A CORPORATION OF ILLINOIS.

## GULLY-BOOT FOR POCKET-BILLIARD TABLES.

1,361,930.

Specification of Letters Patent.

Patented Dec. 14, 1920.

Application filed June 28, 1919. Serial No. 307,329.

*To all whom it may concern:*

Be it known that I, THEODORE R. TREIBER, a citizen of the United States, residing at Chicago, in the county of Cook and State of Illinois, have invented a certain new and useful Improvement in Gully-Boots for Pocket-Billiard Tables, of which the following is a full, clear, concise, and exact description, reference being had to the accompanying drawings, forming a part of this specification.

My invention relates to a gully boot for pocket billiard tables.

The invention has for one of its features the provision of a gully boot of the usual U-shaped character having an opening in the bottom thereof also of U-shaped character disposed correspondingly with the sides and of a width less than the diameter of a ball to prevent chalk dust and other foreign matter from clogging the boot, this boot being so constructed that it is sufficiently strong to withstand hard usage, the same being well adapted to be formed of hard rubber.

Another feature relates to a gully boot of the above described character which is constructed of hard rubber and fabric, the same being well adapted for its purpose and able to withstand hard usage.

The above features and certain other features hereinafter appearing are embodied in the preferred form of my invention hereinafter fully described and illustrated in the accompanying drawings, and are effected by certain novel constructions, combinations and arrangement of parts particularly pointed out in the claims.

In the said drawings—

Figure 1 is a partial sectional view in side elevation of a pocket billiard table equipped with the preferred form of the gully boot of my invention.

Fig. 2 is a top plan view of the gully boot shown in Fig. 1.

Fig. 3 is a sectional view on the line 3—3 of Fig. 2.

Like characters of reference indicate like parts in the various views.

In the drawings—

I indicates a side of the table, which supports at its top the usual slate 2, at the edge of which is mounted the cushion 3, which has the usual cushion 4 attached thereto, the cushion rail and cushion being cut away to

form a ball pocket, as is usual. The upper portion of the side and the supporting structure is cut away below this ball pocket to allow balls to pass therethrough. The cut away portion of the cushion rail is bridged by the usual pocket iron 5. The usual slash shield 6 of flexible material has its upper edge secured to the pocket iron and hangs downwardly therefrom and the upper edge of the closed end of the gully boot 7 of my invention is stitched or otherwise fastened to the lower edge of this slash shield. The gully boot extends inwardly through the cut away portion of the side and the supporting structure and has its inner open end resting upon the end of the gully 8 of the table which is supported upon a flange 9 secured to the side of the table and extending inwardly therefrom.

The gully boot, as relates to its general form, has sides of the usual U-shaped character and has an opening 10 in the bottom thereof. This opening permits chalk dust and other foreign matter to pass therethrough, and is of such a dimension that a ball cannot pass therethrough. This opening is preferably U-shaped and is disposed correspondingly with the sides and is of a width less than the diameter of a ball, so that a ball cannot pass therethrough. The edges of this opening form tracks for a ball passing through the boot and serve to straighten out the path of the ball passing therethrough preparatory to its entering upon the gully 8.

I contemplate making the gully boot of hard rubber and to strengthen the structure it is thickened at the edge of the opening 10, as designated at 11. This thickened portion preferably extends above the inner surface of the boot, so that the under surface of the bottom of the boot is flat and will rest properly upon the rails of the gully 8.

To give the boot greater strength when it is made of hard rubber or similar material a layer of canvas 12 or other flexible fabric is molded within the walls of the boot and is provided with an enlarged edge 13 surrounding the opening 10 and disposed within said thickened portion 11.

While I have herein shown and particularly described the preferred embodiment of my invention I do not wish to be limited to the precise details of construction shown as changes may readily be made without de-

parting from the spirit of my invention, but having thus described my invention, I claim as new and desire to secure by Letters Patent the following:—

- 5 1. A gully boot having sides of U-shaped character and having a U-shaped opening in the bottom thereof disposed correspondingly with the sides and of a width less than the diameter of a ball, the boot having a thickened portion at the edge of said opening.
- 10 2. A gully boot having sides of U-shaped character and having a U-shaped opening in the bottom thereof disposed correspondingly with the sides and of a width less than the diameter of a ball, the boot having a thickened portion at the edge of said opening,

said thickened portion extending above the inner surface of the boot.

3. A gully boot formed of hard rubber or similar material and having sides of U-shaped character and having a U-shaped opening in the bottom thereof disposed correspondingly with the sides and of a width less than the diameter of a ball, the boot having a thickened portion at the edge of said opening, and a layer of flexible fabric material molded within the walls of the boot and having an enlarged edge surrounding said opening and disposed within said thickened portion.

In witness whereof, I hereunto affix my signature this 23rd day of June, 1919.

THEODORE R. TREIBER.