

DESIGN.

No. 34,382.

Patented Apr. 16, 1901.

O. F. BARTEL.
BILLIARD TABLE.

(Application filed Feb. 23, 1901.)

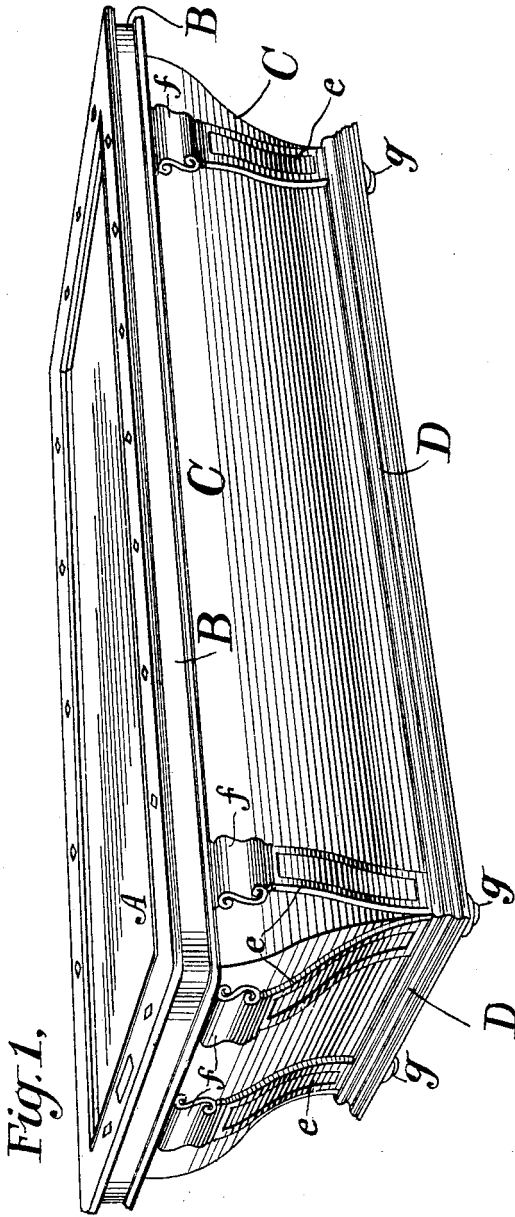
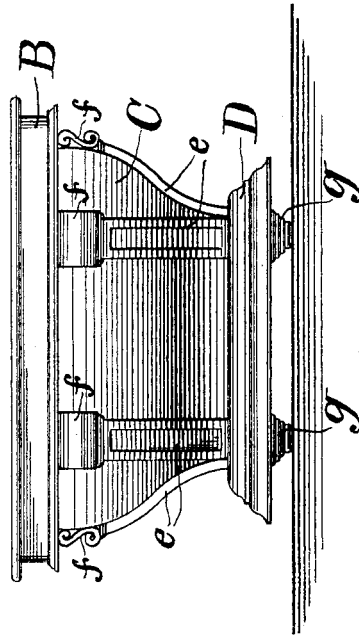


Fig. 2,



WITNESSES:

D. S. Hayward
Benj. C. Teak

INVENTOR
Otto F. Bartel

BY
J. N. Mc Intire
ATTORNEYS

UNITED STATES PATENT OFFICE.

OTTO F. BARTEL, OF CHICAGO, ILLINOIS, ASSIGNOR TO THE BRUNSWICK-BALKE-COLLENDER COMPANY, OF SAME PLACE.

DESIGN FOR A BILLIARD-TABLE.

SPECIFICATION forming part of Design No. 34,382, dated April 16, 1901.

Application filed February 23, 1901. Serial No. 48,631. Term of patent 14 years.

To all whom it may concern:

Be it known that I, OTTO F. BARTEL, a citizen of the United States, residing in the city of Chicago, county of Cook, and State of Illinois, have invented and produced a new and original Design for Billiard-Tables, of which the following is a specification, reference being had to the accompanying drawings, forming part thereof.

In the drawings, Figure 1 is a perspective view of my new design of billiard-table. Fig. 2 is an end elevation of the same; and in both views the same reference-letters designate the same parts.

A is the usual bed member, and B the cushion-rail member, which members surmount a body C, which extends downwardly therefrom to an ornamental base member D, which is supported on a series of short feet members *g*, all as clearly shown.

The body C of the table is in profile (or vertical cross-sectional shape) of ogee form, the convex portion of the ogee being uppermost, while the concave portion runs downwardly to the base member D.

Both the base member D and the cushion-rail member are beautified by suitable carving or superficial ornamentation, though my invention rests in the novel configuration of the table, the distinguishing or characteristic features of which are the solid or rather

continuous body portion C of ogee form, extending from the cushion-rail member B clear down to a shallow base D, as shown, and the pilaster-like members *e f*, which also extend downwardly from B to the said base D and which simulate leg members to the table. These members *e f* are composed each, as seen, of a sort of pilaster-like member, the part *e* of which is plain, while the upper end portion *f* is in the nature of an ornamental capital on which appears to be surmounted the cushion-rail member B of the table. It will be understood, of course, that there are in all eight of these last-named members, (two at each corner of the table,) which add greatly to the beauty of the whole design shown.

Having now set forth my new design and invention, what I claim as new, and desire to secure by Letters Patent, is—

A billiard-table of the design shown and described; the characteristic features of which are, the ogee-shaped body portion C, and the pilaster-like members *e, f*, simulating leg members; as set forth.

In witness whereof I have hereunto set my hand this 22d day of January, 1901.

OTTO F. BARTEL.

In presence of—

J. EHRENPREIS,
J. C. SCHANK.