

T. R. TREIBER.  
METAL TABLE.  
APPLICATION FILED JAN. 21, 1916.

1,268,182.

Patented June 4, 1918.  
2 SHEETS—SHEET 1.

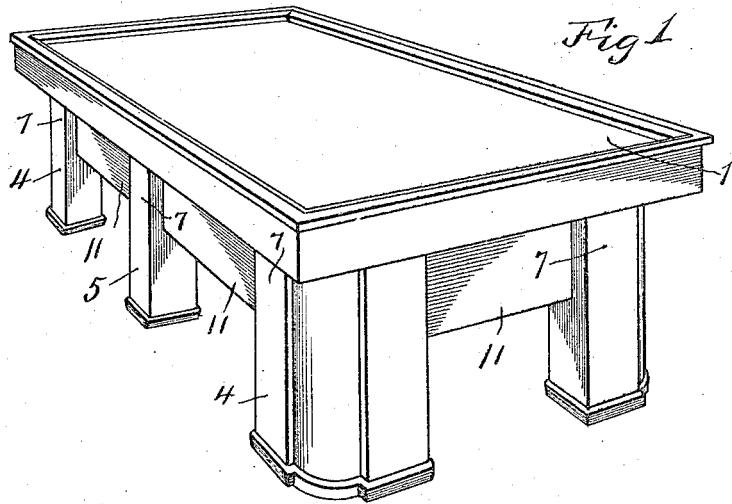


Fig. 2.

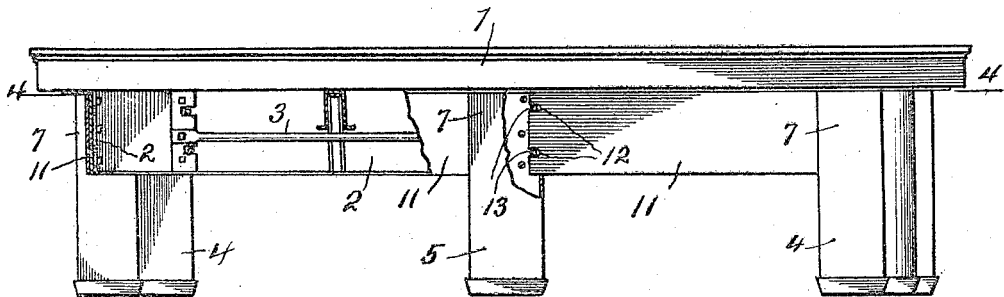
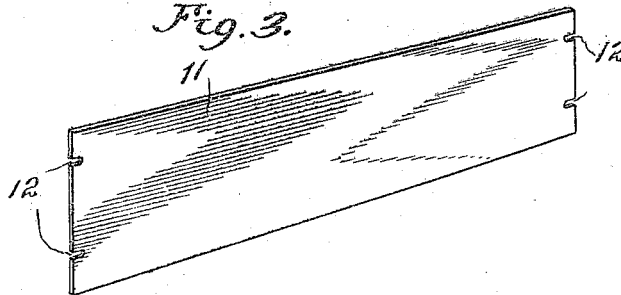


Fig. 3.



Witness  
*R. Hamilton*

By

Inventor  
*Theodore R. Treiber*  
*Warren D. House*  
His Attorney

T. R. TREIBER,  
 METAL TABLE,  
 APPLICATION FILED JAN. 21, 1916.

1,268,182.

Patented June 4, 1918.  
 2 SHEETS—SHEET 2.

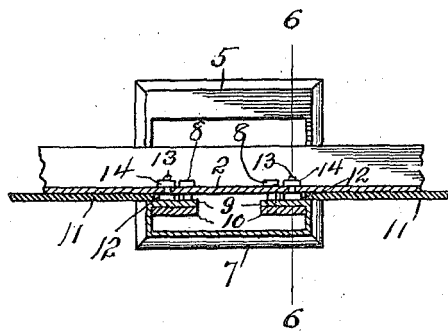
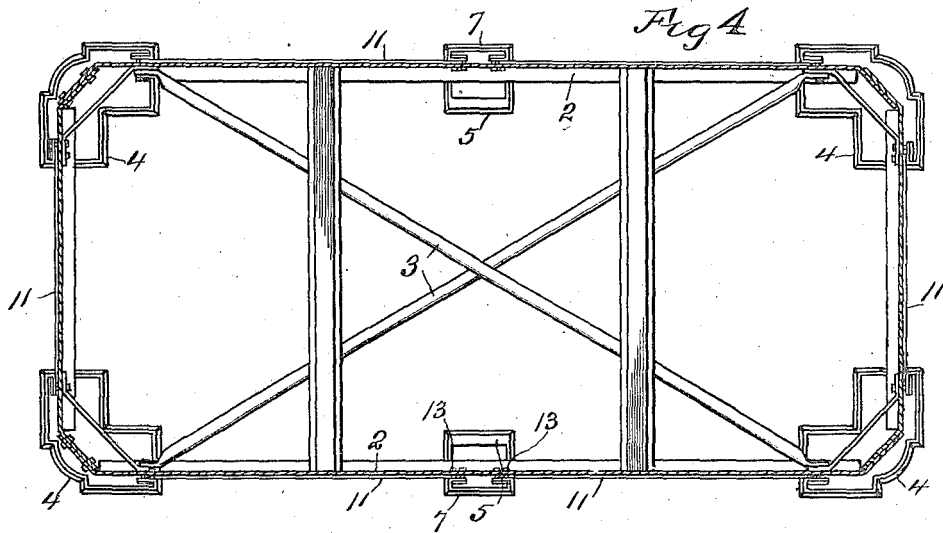


Fig 5

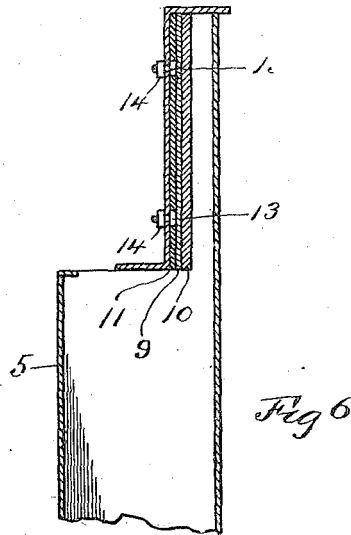


Fig 6

Witness  
*R. Hamilton*

By

Inventor  
*Theodore R. Treiber*  
*Warren D. House*

His Attorney

# UNITED STATES PATENT OFFICE.

THEODORE E. TREIBER, OF CHICAGO, ILLINOIS, ASSIGNOR TO THE BRUNSWICK-BALKE-COLLENDER COMPANY, OF CHICAGO, ILLINOIS, A CORPORATION OF DELAWARE.

## METAL TABLE.

1,268,182.

Specification of Letters Patent.

Patented June 4, 1918.

Application filed January 21, 1916. Serial No. 73,365.

*To all whom it may concern:*

Be it known that I, THEODORE R. TREIBER, a citizen of the United States, residing at Chicago, in the county of Cook and State of Illinois, have invented a certain new and useful Improvement in Metal Tables, of which the following is a specification.

My invention relates to improvements in metal tables.

My invention is particularly adapted for billiard or pool tables having a frame constructed of metal, such as structural steel plates.

The object of my invention is to provide for the table frame a novel and ornamental finish for the exterior thereof, such finish being effected by applying to the exterior of the frame, separate enameled plates which extend between the legs of the table at the sides of the frame.

Large table frames, such as are provided for billiard or pool tables cannot be subjected to the heat required for enameling metal without liability of warping the frame, and thereby destroying its utility for the purpose desired. By providing separate enameled plates secured to the frame at the exterior thereof and between the legs, an ornamental enameled finish for the frame is obtained without warping the frame and without any other injury thereto.

A further object of my invention is to provide novel means for securing the finishing plates to the frame of the table.

The novel features of my invention are hereinafter fully described and claimed.

In the accompanying drawings, which illustrate the preferred embodiment of my invention,

Figure 1 is a perspective view of a metal billiard table provided with my improvement.

Fig. 2 is a side view of the same, partly broken away.

Fig. 3 is a perspective view of one of the enameled finishing plates.

Fig. 4 is a horizontal section on the line 4-4 of Fig. 2.

Fig. 5 is a fragmental enlarged horizontal sectional view through one of the intermediate legs and parts connected therewith.

Fig. 6 is a vertical sectional view on the line 6-6 of Fig. 5.

Similar reference characters designate similar parts in the different views.

1 designates the top of the table, which may be of the usual type, and which is supported upon a metal frame which is disposed horizontally, and the side members of which may be structural steel Z bars 2 bolted together at their ends. The frame may be provided with crossed diagonally disposed brace bars 3 having their ends secured to the bars 2.

Supporting the frame are corner legs 4 and intermediate legs 5, preferably composed of enameled steel plates and which are respectively provided at their upper ends with vertical extensions 7, which are disposed at the outer sides of the Z bars 2, to which they are clamped by means of bolts 8, Fig. 5, which extend through the bars 2 and through inwardly and laterally turned flanges 9, two of which are provided longitudinally at each side of each leg.

At the outer side of each vertical flange 9 and within the adjacent leg is provided a vertical clamping plate 10 provided with threaded holes for receiving respectively the adjacent bolts 8.

11 designates a plurality of vertical rectangular longitudinal finishing plates, preferably enameled sheet steel, which are applied to the exterior of the plates 2, one plate between each adjacent pair of legs.

The finishing plates 11, preferably have their ends disposed between the legs and the bars 2, so as to afford a finished appearance at the joints, and for the purpose of being retained in their proper positions. The plates 11 are held clamped against the bars 2, at the exterior thereof, by the extensions 7 of the legs.

The ends of each plate 11 are provided each with one or more notches 12 adapted to receive therein respectively the heads 13 of bolts which extend through the Z bars 2 and which have provided on their inner ends nuts 14, Figs. 5 and 6. The bolts 13 serve to support the plates 11 prior to the application of the legs to the frame. After the legs have been applied, the legs retain the plates 11 on the bolts 13.

A metal table equipped with my invention, as above described, is very ornamental in appearance, may be readily cleaned, is

not liable to be injuriously affected by the elements, and is very durable and not liable to get out of repair, and the enameled finish is obtained without warping or otherwise  
 5 injuring the frame.

I do not limit my invention to the structure shown and described, as modifications, within the scope of the appended claims, may be made without departing from the  
 10 spirit of my invention.

What I claim is:—

1. In a table, a frame adapted to support a table top, a leg secured thereto, a finishing plate applied to the exterior of the frame  
 15 and having a recess, and a bolt supported by the frame and extending into the recess

for supporting the finishing plate, the leg serving to cover the bolt and to retain the plate engaged therewith.

2. In a table, a frame adapted to support 20 a table top, two legs secured thereto, a finishing plate applied to the exterior of the frame and extending between the frame and said legs and provided with two recesses respectively covered by said legs, and two se- 25 curing devices supported by the frame and respectively extending into said recesses for supporting the finishing plate.

In testimony whereof I have signed my name to this specification.

THEODORE R. TREIBER.

Copies of this patent may be obtained for five cents each, by addressing the "Commissioner of Patents, Washington, D. C."