

Oct. 20, 1925.

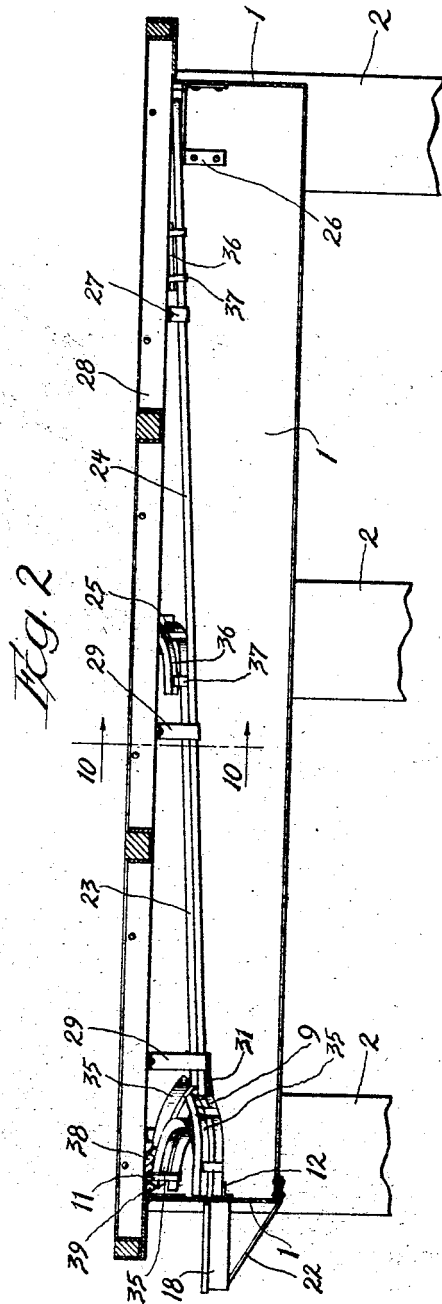
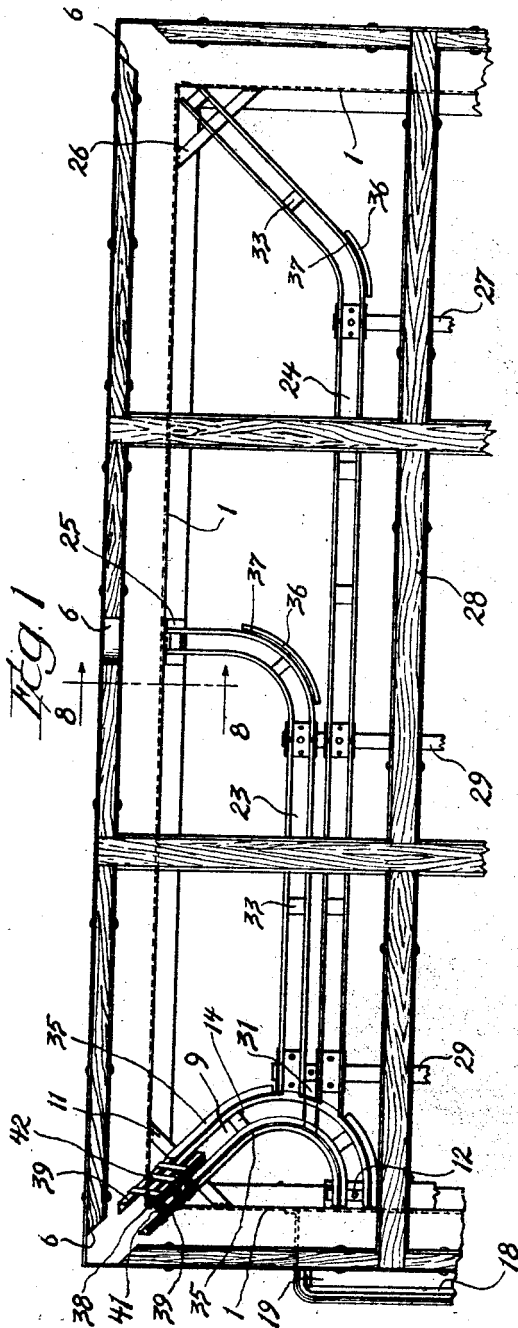
T. R. TREIBER

1,558,209

GAME TABLE

Filed Sept. 8, 1923

4 Sheets-Sheet 1



Inventor: Theodore R. Treiber
By: Michle & Michle, Attys.

Oct. 20, 1925.

T. R. TREIBER

1,558,209

GAME TABLE

Filed Sept. 8, 1923

4 Sheets-Sheet 2

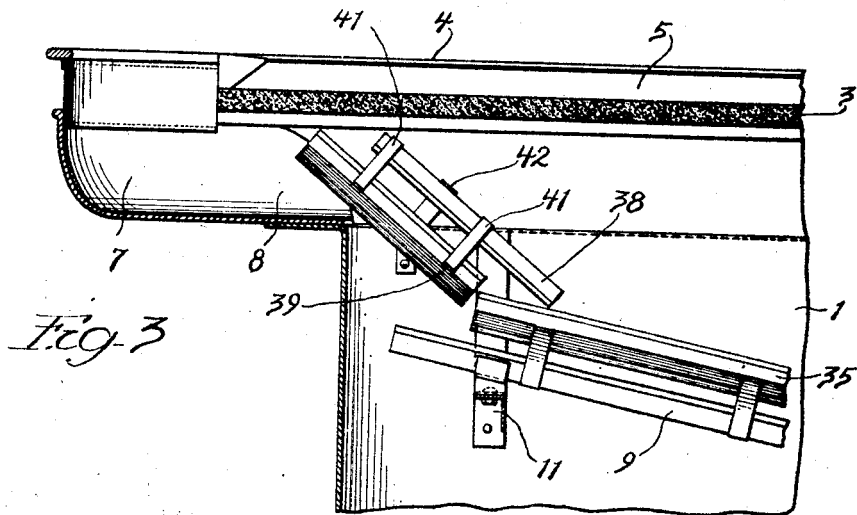


Fig. 3

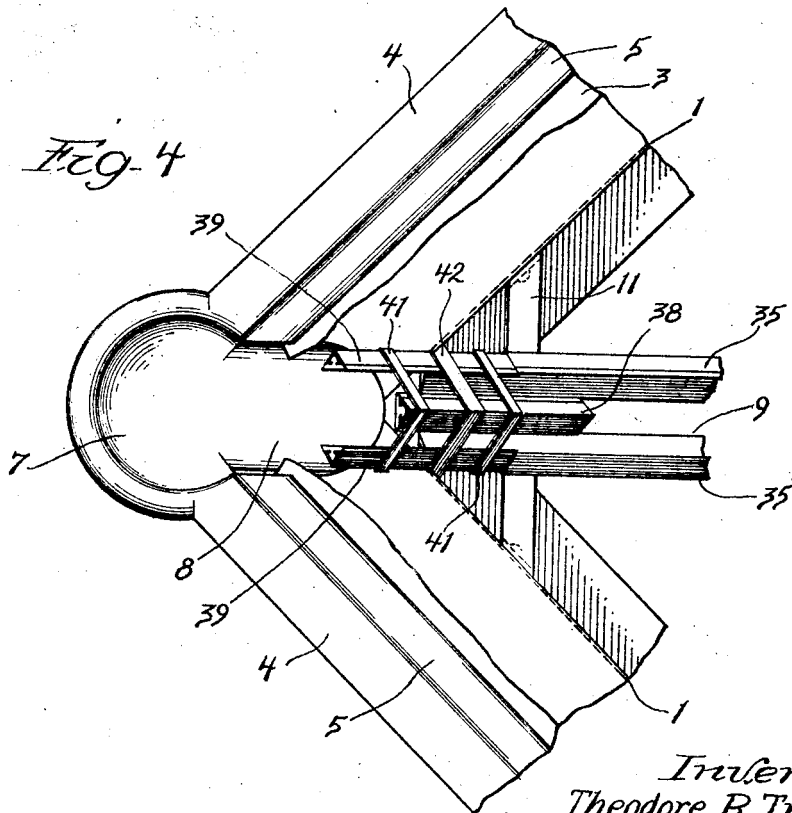


Fig. 4

Inventor:
Theodore R. Treiber

By: Miehle & Miehle, Attys.

Oct. 20, 1925.

1,558,209

T. R. TREIBER

GAME TABLE

Filed Sept. 8, 1923

4 Sheets-Sheet 3

FIG-5

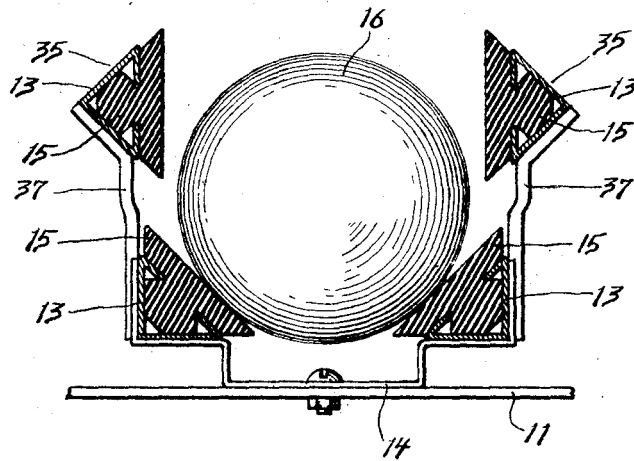
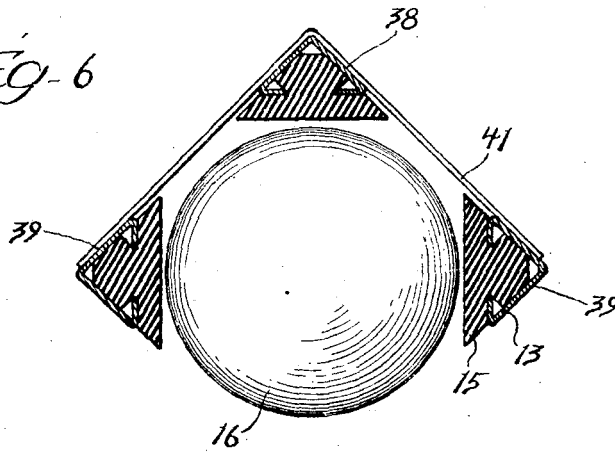


FIG-6



Inventor:-
Theodore R. Treiber

By:- Michle & Michle, Attys.

Oct. 20, 1925.

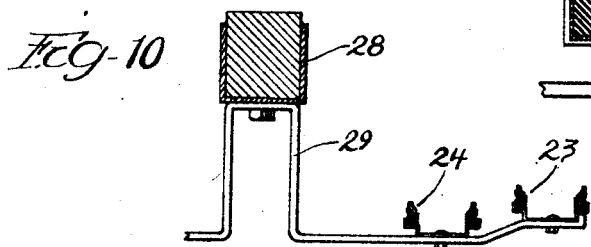
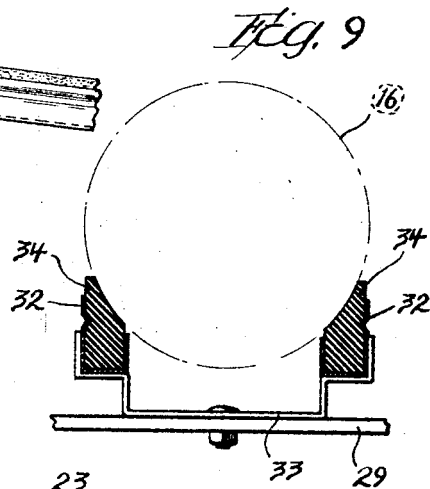
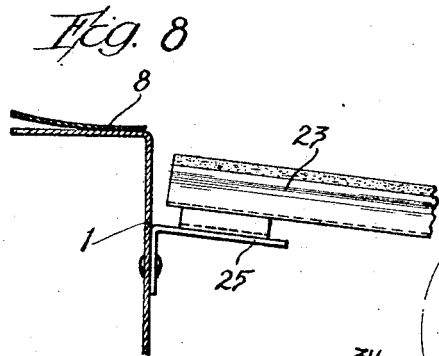
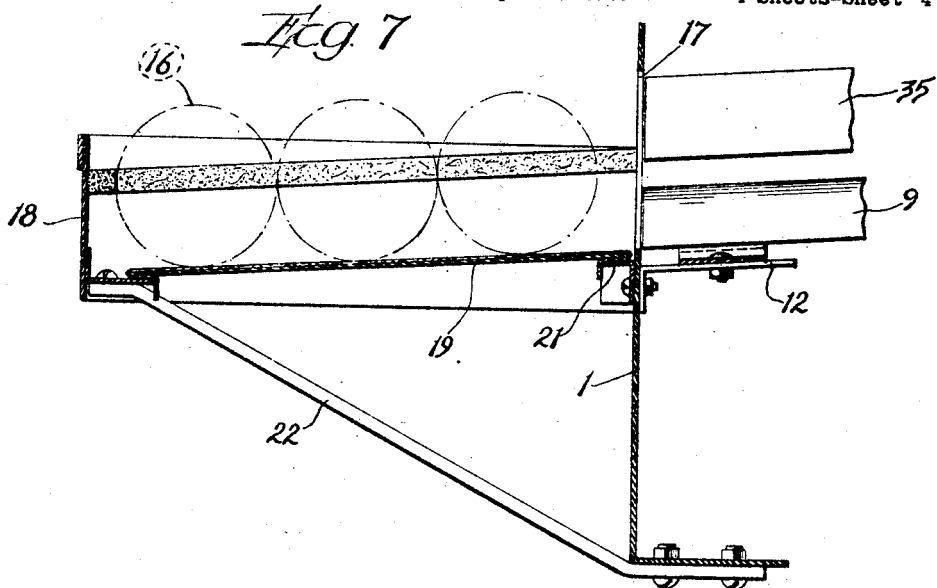
1,558,209

T. R. TREIBER

GAME TABLE

Filed Sept. 8, 1923

4 Sheets-Sheet 4



Inventor—
Theodore R. Treiber

By— *Miehle & Miehle, Attys.*

UNITED STATES PATENT OFFICE.

THEODORE R. TREIBER, OF CHICAGO, ILLINOIS, ASSIGNOR, BY MESNE ASSIGNMENTS,
TO THE BRUNSWICK-BALKE-COLLENDER COMPANY, OF WILMINGTON, DELAWARE,
A CORPORATION OF DELAWARE.

GAME TABLE.

Application filed September 8, 1923. Serial No. 661,647.

To all whom it may concern:

Be it known that I, THEODORE R. TREIBER, a citizen of the United States, residing at Chicago, in the county of Cook and State of Illinois, have invented a certain new and useful Improvement in Game Tables, of which the following is a full, clear, concise, and exact description, reference being had to the accompanying drawing, forming a part of the specification.

My invention relates particularly to pocket billiard tables although not limited to this use alone.

The features of the invention relate to the provision of a return ball system of novel and simple design which permits of short and direct return paths for the balls from the various pockets of the table and in which clogging of the balls will rarely if ever occur, which permits of the gullies of the system being gradually inclined, which is adapted for various table structures, and which is convenient in use in that the returned balls are received at an accessible conveniently elevated position from which they may be conveniently removed.

With these features in view my invention consists in certain features of novelty in the construction, combination and arrangement of parts by which the said features and certain other features hereinafter appearing are affected, all as fully described with reference to the accompanying drawings and more particularly pointed out in the claims.

In the said drawings—

Figure 1 is a partial top plan view of a pocket billiard table with the slates and cushions thereof removed.

Figure 2 is a longitudinal section of the same.

Figure 3 is an enlarged vertical sectional view of one corner of the table.

Figure 4 is an enlarged top plan view of the same corner of the table with the slate broken away.

Figure 5 is a transverse section of one of the gullies hereinafter described.

Figure 6 is a transverse section of one of the guide cages hereinafter described.

Figure 7 is an enlarged vertical section of the lower portion of one end of the table.

Figure 8 is an enlarged partial section taken on the line 8—8 of Figure 1.

Figure 9 is an enlarged transverse section of another of the gullies. 55

Figure 10 is an enlarged section taken on the line 10—10 of Figure 2.

Like characters of reference indicate like parts in the various views.

Referring to the drawings, the table is of elongated rectangular formation having deep sides 1, and is supported by legs 2 disposed at the corners and at the centers of the long sides of the table as is usual. See Figs. 1 and 2. Supported at the top of the sides 1 are the usual slates 3, and cushion rails 4, with cushions 5 attached thereto, are secured to the edges of the slates, the cushions and cushion rails being cut out at the corners of the table and at the centers of the long sides thereof to form corner and side ball pockets, as is usual. The upper portions of the sides of the table and supporting structure are cut away below these ball pockets as designated at 6 in Fig. 1, for the reception of gully boots 7, forming the bottoms of the pockets and leading inwardly under the slates with ball guide extensions 8 for discharging the balls from the pockets inwardly under the slates. See Figs. 3 and 4. 60 65 70 75 80

It will be observed that only one longitudinal side portion of the table is shown, it being understood that the part of the gully system of the portion of the table not shown is a reversed duplicate of the part shown, the following description clearly describing the complete system with reference to the drawings. 85

A pair of gullies 9 lead and incline downwardly from respective of adjacent corner pockets of the table and are curved in the direction of the adjacent end side of the table and discharge in a direction outwardly thereof at centrally disposed horizontally spaced points above the lower edge of the said end side. See Figs. 1 and 2. These gullies are secured at their upper ends to adjacent sides 1 by brackets 11, and are secured at their lower ends by angle brackets 12 secured to said end side. These gullies consist of spaced metal support rails 13 of triangular interlock channel formation and secured in spaced parallelism at intervals by cross ties 14 welded thereto, and yieldable rubber bearer strips 15 interlocked in the channels 90 95 100 105

of the rails and provided with upper bearer surfaces inclined downwardly toward each other upon which the balls 16 roll. See Fig. 5.

5 The aforementioned end side of the table is provided with a pair of apertures 17, see Fig. 7, which are alined with the discharge ends of respective gullies 9 for the discharge of the balls therethrough from these gullies, the apertures being sufficiently large so that 10 the balls cannot strike the edges of the side. Secured on the exterior of the aforementioned side of the table at an elevated point is a shallow horizontally disposed ball receiving box 18 provided with a removable bottom 19 disposed substantially at the level at which the balls are discharged from the gullies 9. By reason of the aforementioned arrangement the balls are received at an accessible conveniently elevated position from 15 which they may be conveniently removed. The box 18 on the exterior of the table side causes no inconvenience in the use of the table, particularly where as shown the upper part at the table overhangs the same, and is mounted on the exterior of the aforementioned side of the table by bar 21 extending along the inner side of the box and secured to the side of the table and an angle arm 22 secured to the table side at its 20 lower edge and extending upwardly and outwardly and secured to the box at its outer side.

35 A second pair of gullies 23 lead and incline downwardly from respective side pockets toward the aforementioned side of the table and discharge into respective gullies 9 leading from respective pockets on corresponding sides of the table, these gullies 40 23 extending transversely from respective pockets and then turning at right angles toward the aforementioned end side of the table and extending longitudinally of the table intermediate the longitudinal center and respective sides of the table and discharging into the respective gullies 9 at intermediate points thereof. See Figs. 1 and 2.

45 A third pair of gullies 24 lead and incline downwardly from respective corner pockets at the end of the table opposite the aforementioned end side thereof toward the aforementioned end side and discharge into respective gullies 9 leading from respective pockets on corresponding sides of the table, these gullies extending diagonally from respective pockets and then turning toward the first mentioned end of the table and extending longitudinally of the table in adjacent inwardly spaced relation with the longitudinally extending portions of respective gullies 23, leading from respective side pockets on corresponding sides of the table, and discharging into respective gullies 9 at intermediate points thereof and in the said 60 adjacent inwardly spaced relation with the

gullies 23. Balls entering the gullies 23 and 24 pass therealong and are discharged into respective gullies 9, after which they pass through the lower portions of the gullies 9 and are finally discharged into the receiving box 18. 70

The gullies 23 are supported at their upper ends by angle brackets 25 secured to respective sides of the table. See Figs. 1 and 8. The gullies 24 are supported at their upper ends by brackets 26 secured to adjacent sides of the table, and are supported adjacent the curved portion thereof by a bracket 27 secured to and extending on both sides of a central longitudinally extending bar 28 at the top of the table structure. The adjacently spaced portions of the gullies 23 and 24 are supported by brackets 29 secured to and extending on both sides of the bar 28, one of the brackets 29 being disposed adjacent the curved portions of the gullies 23 and the other bracket 29 being disposed adjacent the discharge ends of the gullies 23 and 24 and supporting the intermediate portion of the gullies 9 by means of brackets 31. See Figs. 1, 2, and 10. 80 85 90

The gullies 23 and 24 consist of spaced metal support rails 32 of U-shaped interlock channel formation and secured in spaced parallelism at intervals by cross ties 33 welded thereto, and yieldable rubber bearer strips 34 interlocked in the channels and provided with upper bearer surfaces inclined downwardly toward each other upon which the balls 16 roll. See Figs. 9 and 10. 95 100

The structure of the rails of the gullies is the subject matter of my co-pending application for improvement in ball track rail for game tables and the like, Serial No. 656,317, filed August 8, 1923, and requires no further description for the present purposes. 105

The gullies 9 are provided with side guard rails 35 extending on both sides thereof, except where the gullies 23 and 24 discharge thereinto, the structure of which is the same as the hereinabove described structure of the rails of the gullies 9 wherefore the same reference characters are applied thereto, see Fig. 5. The gullies 23 and 24 are provided at the outer sides of the curved portions thereof with side guard rails 36 similar in construction with the guard rails 35, and the guard rails 35 and 36 are secured to respective gullies by brackets 37 connected by welding. 110 115 120

The upper or receiving ends of the side pocket gullies 23 are disposed at a lower level than the receiving end of the gullies 24, and the receiving ends of the gullies 9 are disposed at a level below the receiving ends of the gullies 23 whereby the inclination of the gullies 9 and 23 is decreased. Thus the balls discharging from the end pockets from which the gullies 9 lead or the side pockets drop a short distance onto the 125 130

gullies 9 and 23. The momentum of the balls in so dropping is practically spent by the balls striking the receiving ends of these gullies after which the balls roll downwardly on the gullies at a relatively slow pace. The upper or receiving ends of the gullies 24 are disposed to receive the balls directly from respective pockets without the balls dropping downwardly thereon, the length of these gullies permitting a gradual inclination thereof whereby the balls roll downwardly thereon at a slow pace.

The drop of the balls onto the receiving ends of the gullies 9 is considerable and to insure that the balls drop properly thereon guide cages are provided to guide the balls in their drop onto these gullies. See Figs. 1, 3, and 4. These cages consist of an upper downwardly facing guide rail 38 and spaced side guide rails 39 secured together by straps 41 and secured to the adjacent sides of the table by brackets 42. The cages incline upwardly at a steep angle from the receiving ends of respective gullies 9 to the point of discharge of respective pockets and guide the balls downwardly and sidewise in their drop onto the gullies 9. The structure of the guide rails 38 and 39 is the same as the structure of the rails of the hereinbefore described gullies 9 wherefore the same reference characters are applied thereto. See Fig. 6.

While I have herein shown and particularly described the preferred embodiment of my invention I do not wish to be limited to the precise details of construction shown as changes may readily be made without departing from the spirit of my invention, but having thus described my invention I claim as new and desire to secure by Letters Patent the following:—

1. A pocket game table including a pair of independent gullies leading from respective adjacent pockets of the table and inclined downwardly therefrom and curved in directions toward the part of the table between said pockets and discharging in a direction outwardly therefrom at horizontally spaced points, and independent gullies leading and inclining downwardly from the other pockets of the table and discharging into respective of said first mentioned gullies at intermediate points thereof.

2. The combination in a game table having corner and side pockets of a pair of independent gullies leading from respective of adjacent corner pockets and inclined downwardly therefrom and curved in directions toward the adjacent end of the table and discharging in a direction outwardly therefrom, and independent gullies leading and inclining downwardly toward said end of the table from the remaining pockets and discharging into and at intermediate points of respective of said first mentioned gullies

leading from respective pockets at corresponding sides of the table.

3. The combination in a game table having corner and side pockets of a pair of independent gullies leading from corner pockets at one end of the table and inclined downwardly and inwardly therefrom and curved in directions toward said end of the table and discharging in a direction outwardly thereof at horizontally spaced points, and independent gullies leading from said pockets of the table and inclining downwardly toward said end of the table and discharging into and at intermediate points of said first mentioned gullies leading from pockets at corresponding sides of the table, the gullies leading from the corner pockets at the other end of the table extending and discharging into respective of said first mentioned gullies in adjacent inwardly spaced relation with respect to the gullies leading from the pockets at corresponding sides of the table.

4. A pocket game table including a pair of gullies leading from adjacent pockets of the table and inclined downwardly therefrom and curved in directions toward the part of the table between said pockets and discharging in a direction outwardly therefrom at horizontally spaced points, gullies leading and inclining downwardly from respective other remaining pockets of the table and discharging into respective of said first mentioned gullies at intermediate points thereof, the receiving ends of said first mentioned gullies being disposed at a lower level than the receiving ends of the other gullies to decrease the inclination of said first mentioned gullies, and guide means for guiding balls in their drop to the receiving ends of said first mentioned gullies.

5. The combination in a game table having corner and side pockets of a pair of gullies leading from corner pockets at one end of the table and inclined downwardly and inwardly therefrom and curved in directions toward said end of the table and discharging in a direction outwardly thereof at horizontally spaced points, and gullies leading from side pockets of the table and inclined downwardly toward said end of the table and discharging into and at intermediate points of said first mentioned gullies leading from pockets at corresponding sides of the table, and gulleys leading from corner pockets at the opposite end of the table and inclined downwardly to the first mentioned gulleys, the receiving ends of the side pocket gullies being disposed at a level below the level of the receiving ends of the gullies leading from the corner pockets at the opposite end of the table and the receiving ends of said first mentioned gullies being disposed at a level below the receiving ends of the side pocket gullies whereby the in-

clination of the side pocket gullies and said first mentioned gullies is decreased.

6. A deep sided game table including a pair of gullies leading from respective adjacent pockets of the table and inclined downwardly therefrom and curved in directions toward the side of the table between said pockets and discharging in a direction outwardly thereof at horizontally spaced points and at a level above the lower edge of said side, said side being provided with apertures therethrough through which balls are discharged from respective of said gullies, elevated ball receiving means exterior of said side for receiving balls through said apertures, and gullies leading from and inclining downwardly toward said side of the table from respective of the remaining pockets and discharging into respective of said first mentioned gullies at intermediate points thereof.

7. The combination in a game table having corner and side pockets of a pair of gullies leading from respective adjacent corner pockets and inclined downwardly therefrom and curved in directions toward the adjacent end side of the table and discharging in a direction outwardly thereof at horizontally spaced points and at a level above the lower edge of said end side, said end side being provided with a pair of apertures therethrough through which balls from respective of said gullies are discharged, elevated ball receiving means exterior of said side and secured thereto for receiving balls through said apertures, and gullies leading from and inclining downwardly toward said end side from respective of the remaining pockets and discharging into and at intermediate points of respective of said first mentioned gullies leading from respective pockets at corresponding sides of the table, the gullies leading from the corner pockets at the other end side of the table extending and discharging into respective of said first mentioned gullies in adjacent inwardly spaced relation with respect to the side pocket gullies.

8. The combination in a deep sided game table having corner and side pockets of a pair of independent gullies leading from respective of adjacent corner pockets and inclined downwardly therefrom and curved in directions toward the adjacent end side of the table and discharging in a direction outwardly therefrom at horizontally spaced points and at a level above the lower edge

of the sides of the table, said end side being provided with apertures therethrough through which balls from respective of said gullies are discharged, elevated ball receiving means exterior of said end side and mounted thereon for receiving balls through said apertures, and gullies leading from and inclining downwardly toward said end side from respective of the remaining pockets and discharging into respective of said first mentioned gullies at intermediate points thereof, the receiving ends of said first mentioned gullies being disposed at a level below the receiving ends of the remaining gullies to decrease the inclination of said first mentioned gullies.

9. The combination in a deep sided game table having corner and side pockets of a pair of gullies leading from respective adjacent end pockets and inclined downwardly therefrom and curved in directions toward the adjacent end side of the table and discharging in a direction outwardly thereof at horizontally spaced points and at a level above the lower edge of said end side, said end side being provided with a pair of apertures therethrough through which balls from respective gullies are discharged, an elevated shallow horizontally disposed ball receiving box mounted on said end side exterior thereof for receiving balls through said apertures, and gullies leading from and inclining downwardly toward said end side from respective of the remaining pockets and discharging into and at intermediate points of respective of said first mentioned gullies leading from respective pockets at corresponding sides of the table, the gullies leading from the corner pockets at the other end side of the table extending and discharging into respective of said first mentioned gullies in adjacent inwardly spaced relation with respective of the side pocket gullies, the receiving ends of the side pocket gullies being disposed at a level below the level of the receiving ends of the gullies leading from the corner pockets at said other end side of the table and the receiving ends of said first mentioned gullies being disposed at a level below the receiving ends of the side pocket gullies whereby the inclination of the side pocket gullies and said first mentioned gullies is decreased.

In witness whereof I hereunto affix my signature this 24th day of August, 1923.

THEODORE R. TREIBER.